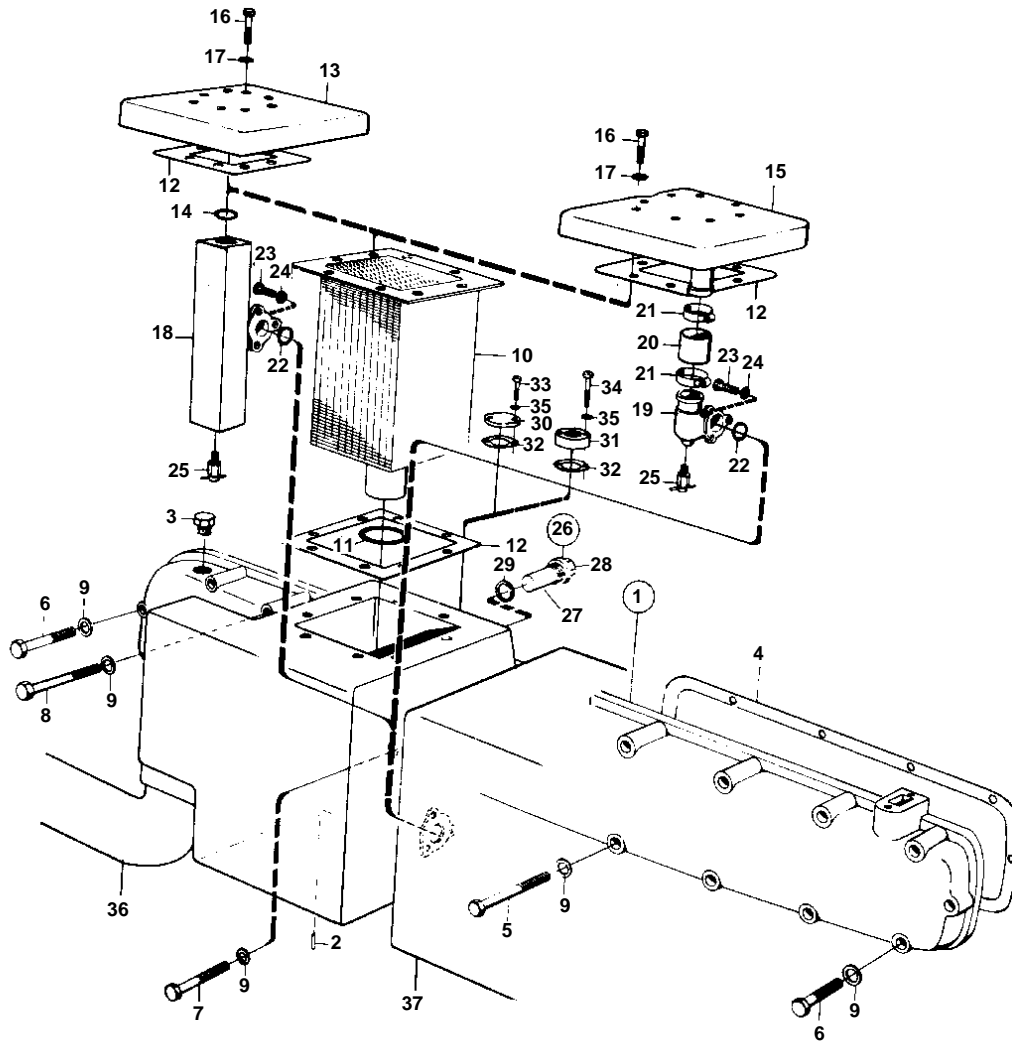


TAMD70B,AQD70B



3093

# INDUCTION MANIFOLD AND AFTER COOLER WITH INSTALLATION COMPONENTS

# 02B

TAMD70B,AQD70B

REF	PART NO.	QTY	DESCRIPTION	SEE SEC.	NOTES
1		1	INDUCTION MANIFOLD AND AFTER COOLER		REPLACED BY 1EA 837250, 1EA 837334, 1EA 837309, 2EA 950046, 2PC 941906.
	837250	1	Inlet pipe, PIPE AND AFTER COOLER		MO46847/XXXX-
2	951943	1	· Spring pin		MO-46846/XXXX
3	191026	1	· Plug		
4	421071	2	Gasket	IK	
5	955530	2	Screw		L = 83 MM
6	940136	12	Screw		L = 64 MM
7	955525	2	Screw		L = 25 MM MO-46846/XXXX
	955525	1	Screw		L = 25 MM MO46847/XXXX-
8	955529	2	Screw		L = 76 MM
9	941907	18	Spring washer		
10	824140	1	Insert		
11	925064	1	O-ring		
12	824301	2	Gasket		
13		1	COVER		MO-XXXX/3659. REPLACED BY 1EA 837027, 1EA 837025, 952976 L=110MM, 2EA 951793.
14	430272	1	Sealing ring		MO-XXXX/3659
15	837027	1	Cover		MOXXXX/3660-
16	955527	8	Screw		
17	941907	8	Spring washer		
18		1	CONNECTION		MO-XXXX/3659. REPLACED BY 1EA 837027, 1EA 837025, 952976 L=110MM, 2EA 951793.
19	837025	1	Connector		MOXXXX/3660-
20	858471	X	Hose		L = 110 MM MOXXXX/3660-
21	943477	2	Hose clamp		MOXXXX/3660-
22	925091	1	O-ring		
23	955525	3	Screw		
24	941907	3	Spring washer		
25	82745	1	Tap		
26	823661	1	Zinc electrode		
27	823662	1	· Plug		
28	823661	1	· Zinc electrode		
29	836169	1	Gasket		
30	837334	1	Flange		MO46847/XXX-XXXX/4766
31	837308	1	Flange		MOXXXX/4767- SEE GROUP3
32	837309	1	Gasket		MO46847/XXXX-
33	950046	2	Screw		MO46487/XXX-XXXX/4766
34	940100	2	Screw		MOXXXX/4767-
35	941906	2	Spring washer		MO46847/XXXX-
36		1	PIPE ELBOW	02B-1500	
37		1	HEAT EXCHANGER	02B-0450	