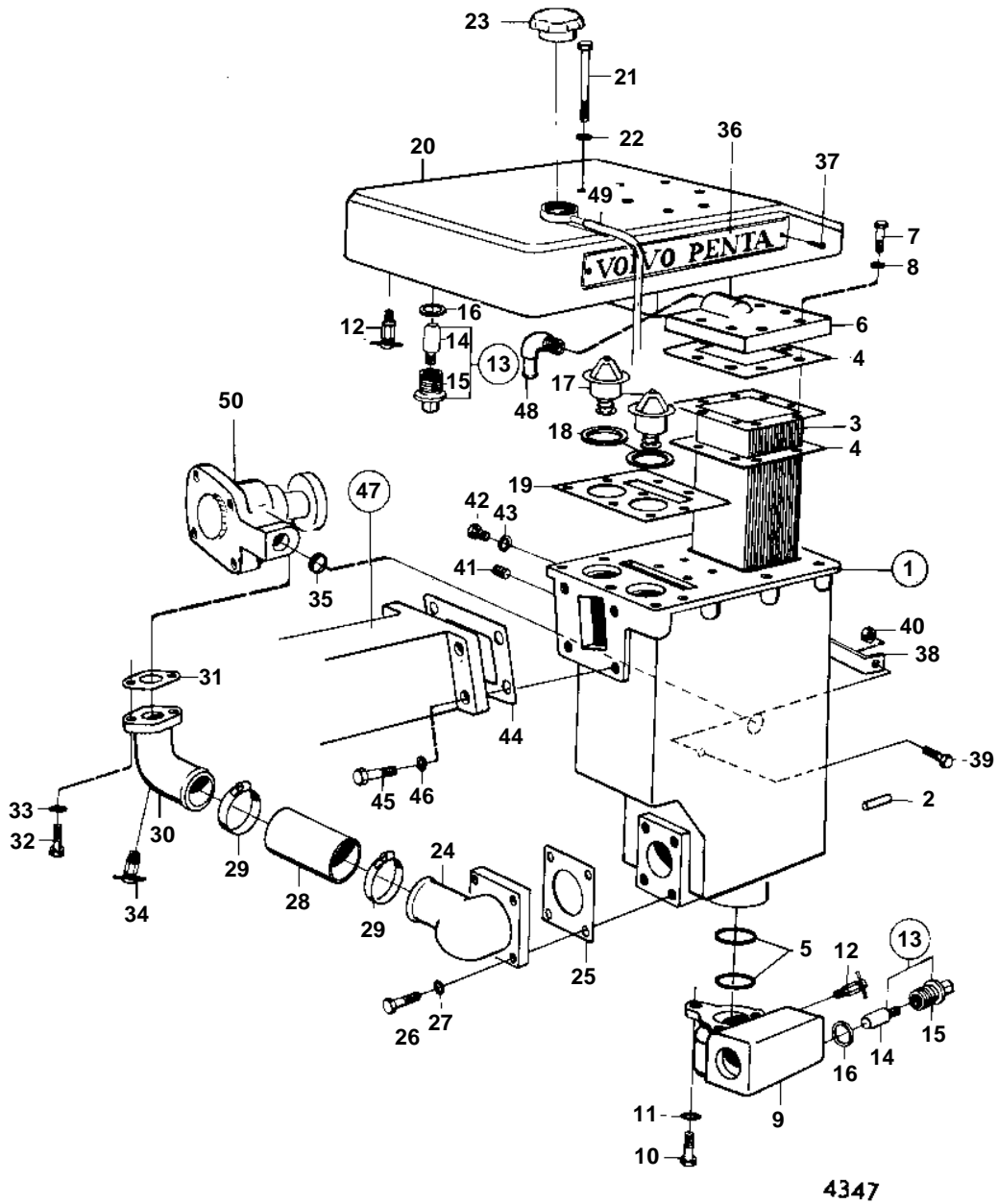


THAMD70B,AQD70BL



# HEAT EXCHANGER AND THERMOSTAT WITH INSTALLATION COMPONENTS.

# 02B

THAMD70B,AQD70BL

REF	PART NO.	QTY	DESCRIPTION	SEE SEC.	NOTES
1	836086	1	Housing		
2	951961	1	· Spring pin		
3	824287	1	Heat exchanger eleme		
4	824313	2	Gasket		
5	925091	2	O-ring		
6	836091	1	Cover		
7	940159	8	Screw		
8	941907	8	Spring washer		
9	836092	1	Cover		
10	955525	3	Screw		
11	941907	3	Spring washer		
12	82745	2	Tap		
13	823661	2	Zinc electrode		
14	823661	2	· Zinc electrode		
15	823662	2	· Plug		
16	836169	2	Gasket		
17	875788	2	Thermostat kit		70%Z9
	875787	2	Thermostat kit		76%Z9
18	416033	2	Sealing ring		
19	836090	1	Gasket		
20	837448	1	Expansion tank		
21	959794	7	Screw		
22	941907	7	Spring washer		
23	321973	1	Filler cap		
24	836810	1	Hose attachment		
25	836822	1	Gasket		
26	955525	2	Screw		L = 25 MM
	940136	2	Screw		L = 64 MM
27	941907	4	Spring washer		
28	952980	X	Rubber hose		L = 60 MM
29	943480	2	Clamp		
30	836811	1	Hose attachment		
31	420171	1	Gasket	IK	
32	955525	2	Screw		
33	941907	2	Spring washer		
34	82745	1	Tap		EARLY TYPE
	192134	1	Plug		LATE TYPE
35	420162	1	Seal	02B-1350	
36	820232	1	Sign		EARLY TYPE
37	950210	3	Screw		EARLY TYPE
38	836413	1	Anchorage		
39	955523	1	Screw		
40	955826	1	Nut		
41	952077	2	Plug		
42	180761	1	Plug		
43	11996	1	Gasket		
44	836820	1	Gasket	02B-2150	
45	940160	4	Screw	02B-2150	
46	941909	4	Spring washer	02B-2150	
47		1	EXHAUST MANIFOLD	02B-2150	
48	801157	1	Elbow nipple	02B-0350	
49	192618	X	Hose		L = 500 MM
50		1	CIRCULATION PUMP	02B-1350	