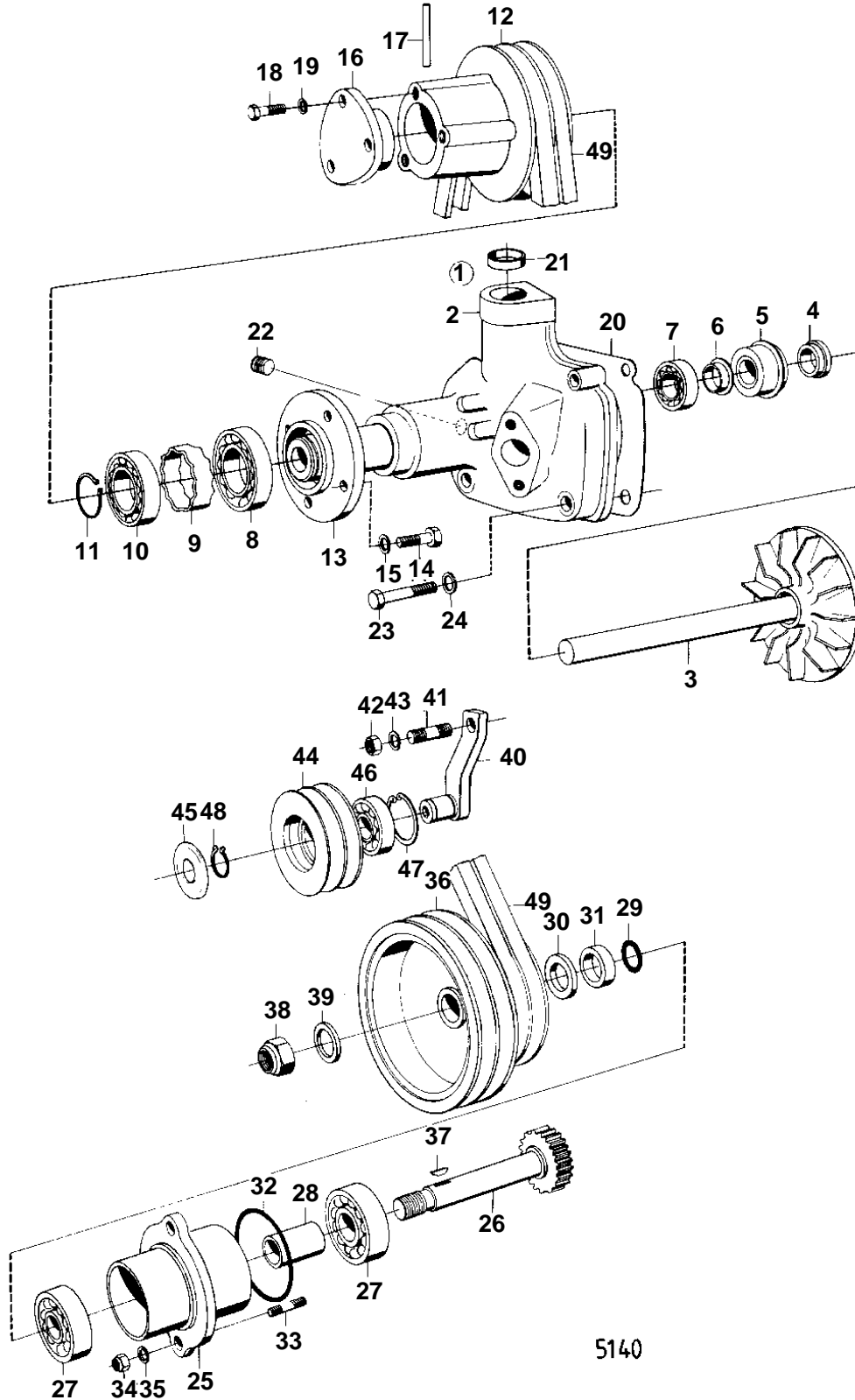


THAMD70B,AQD70BL



**CIRCULATION PUMP AND DRIVE DEVICE WITH INSTALLATION
COMPONENTS: 843417**

02B

THAMD70B,AQD70BL

REF	PART NO.	QTY	DESCRIPTION	SEE SEC.	NOTES
1	843417	1	Water pump		
	3803211	1	Circ. pump, exch		Exchange unit
2		1	· HOUSING		
3	421148	1	· Shaft	IK	
4	421306	1	· Wear ring	IK	
5	1545283	1	· Sealing ring	IK	
6	70913	1	· Deflector	IK	
7	181670	1	· Ball bearing	IK	
8	181538	1	Ball bearing		
9	823145	1	Spacer sleeve		
10	19258	1	Ball bearing		
11	914462	1	Lock ring		
12	823129	1	Pulley		
13	823130	1	Companion flange		
14	955524	3	Screw		
15	941907	3	Spring washer		
16	823131	1	Companion flange		
17	951970	1	Pin		
18	955525	3	Screw		
19	941907	3	Spring washer		
20	421215	1	Gasket	IK	
21	420162	1	Seal	IK	02B-0650
22	952076	1	Plug		
23	940161	6	Screw		
24	941907	6	Spring washer		
25	843661	1	Bearing housing		
26	896604	1	Gear		
27	183731	2	Ball bearing		
28	896605	1	Spacer sleeve		
29	925059	1	O-ring	IK	
30	896672	1	Spacer sleeve	IK	
31	941899	1	Oil sealing ring	IK	
32	925254	1	O-ring	IK	
33	953259	2	Stud		
34	955827	2	Nut		
35	942336	2	Spring washer		
36	823134	1	Pulley		
37	910115	1	Key		
38	959399	1			
39	955900	1	Washer		
40	465473	1	Lever		
41	953351	1	Stud		L = 70 MM
42	955828	1	Nut		
43	941911	1	Spring washer		
44	822551	1	Pulley		
45	420416	1	Protecting plate		
46	1544092	1	Ball bearing		
47	914533	1	Snap ring		
48	914462	1	Lock ring		
49	958346	1	V-belt set		
	875474	1	Repair kit, REPAIR KIT CIRCULATION PUMP		