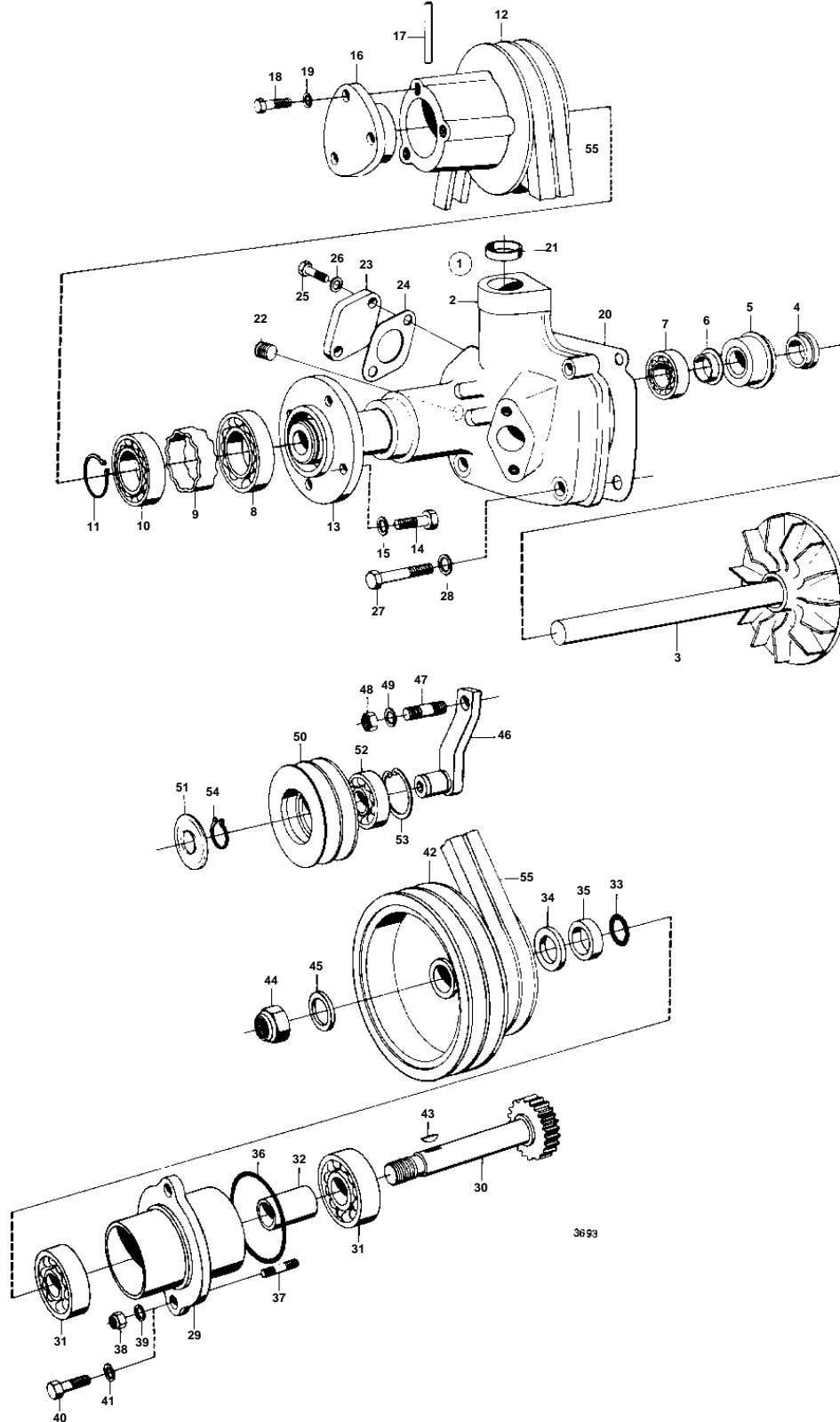


MD70B,TMD70B,TAMD70B,AQD70B



**CIRCULATION PUMP AND DRIVE DEVICE WITH INSTALLATION
COMPONENTS: 875475**

02B

MD70B,TMD70B,TAMD70B,AQD70B

REF	PART NO.	QTY	DESCRIPTION	SEE SEC.	NOTES
1	875475	1			REPL BY 875636
2		1	· HOUSING		
3	421148	1	· Shaft	IK	
4	421306	1	· Wear ring	IK	
5	1545283	1	· Sealing ring	IK	
6	70913	1	· Deflector	IK	
7	181670	1	· Ball bearing	IK	
8	181538	1	Ball bearing		
9	823145	1	Spacer sleeve		
10	19258	1	Ball bearing		
11	914462	1	Lock ring		
12	823129	1	Pulley		
13	823130	1	Companion flange		
14	955524	3	Screw		
15	941907	3	Spring washer		
16	823131	1	Companion flange		
17	951970	1	Pin		
18	955525	3	Screw		
19	941907	3	Spring washer		
20	421215	1	Gasket	IK	
21	420162	1	Seal, SEAL	IK	02B-0450 02B-0400 02B-0550
22	952076	1	Plug		
23	824339	1	Cover		MD70B, TMD70B.
24	420171	1	Gasket	IK	MD70B, TMD70B.
25	940135	2	Screw		MD70B, TMD70B.
26	941907	2	Spring washer		MD70B, TMD70B.
27	940161	6	Screw		
28	941907	6	Spring washer		
29	843661	1	Bearing housing		
30	896604	1	Gear		
31	183731	2	Ball bearing		
32	896605	1	Spacer sleeve		
33	925059	1	O-ring	IK	
34	896672	1	Spacer sleeve		
35	941899	1	Oil sealing ring	IK	
36	925254	1	O-ring	IK	
37	953259	2	Stud		MD70B, TMD70B.. TAMD70C,AQD70C.
38	955827	2	Nut		MD70B, TMD70B.. TAMD70C,AQD70C.
39	942336	2	Spring washer		MD70B, TMD70B.. TAMD70C,AQD70C.
40	940115	2	Screw		TAMD70B, AQD70B, TMD70B.
41	942336	2	Spring washer		TAMD70B, AQD70B, TMD70B.
42	823134	1	Pulley		
43	910115	1	Key		
44	959399	1			
45	955900	1	Washer		
46	842339	1	Lever		
47	953357	1	Stud		L = 100 MM
48	955828	1	Nut		
49	941911	1	Spring washer		
50	822551	1	Pulley		
51	420416	1	Protecting plate		
52	1544092	1	Ball bearing		
53	914533	1	Snap ring		
54	914462	1	Lock ring		
55	958346	1	V-belt set		
	875474	1	Repair kit, REPAIR KIT CIRCULATION PUMP		