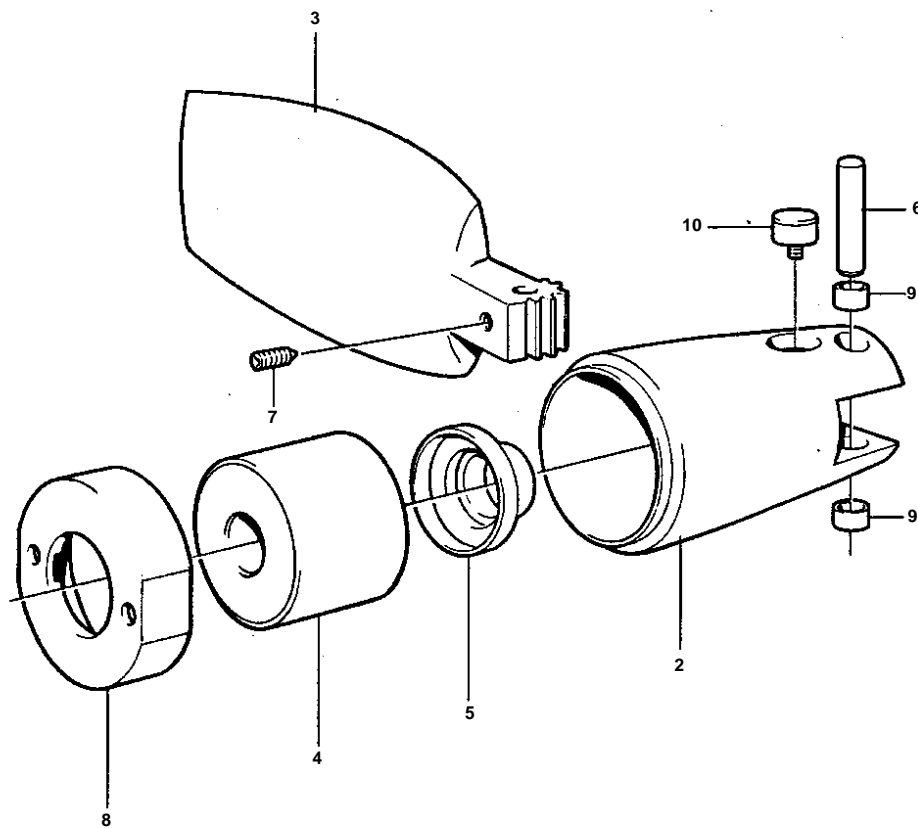


1



5920

REF	PART NO.	QTY	DESCRIPTION	NOTES
1	851564	1	Propeller	15X9
2		1	• PROPELLER HUB	
3	850351	1	• Propeller blade	
4		1	• BUSHING	
5		1	• ATTACHMENT	
6	839511	2	• Shaft	
7	947904	2	• Set screw	
8	839513	1	• Zink ring	
9	850856	4	• Bushing	WITHOUT FLANGE.
	852153	4	• Bushing	WITH FLANGE.
10	852019	2	• Zinc anode kit	(851466)