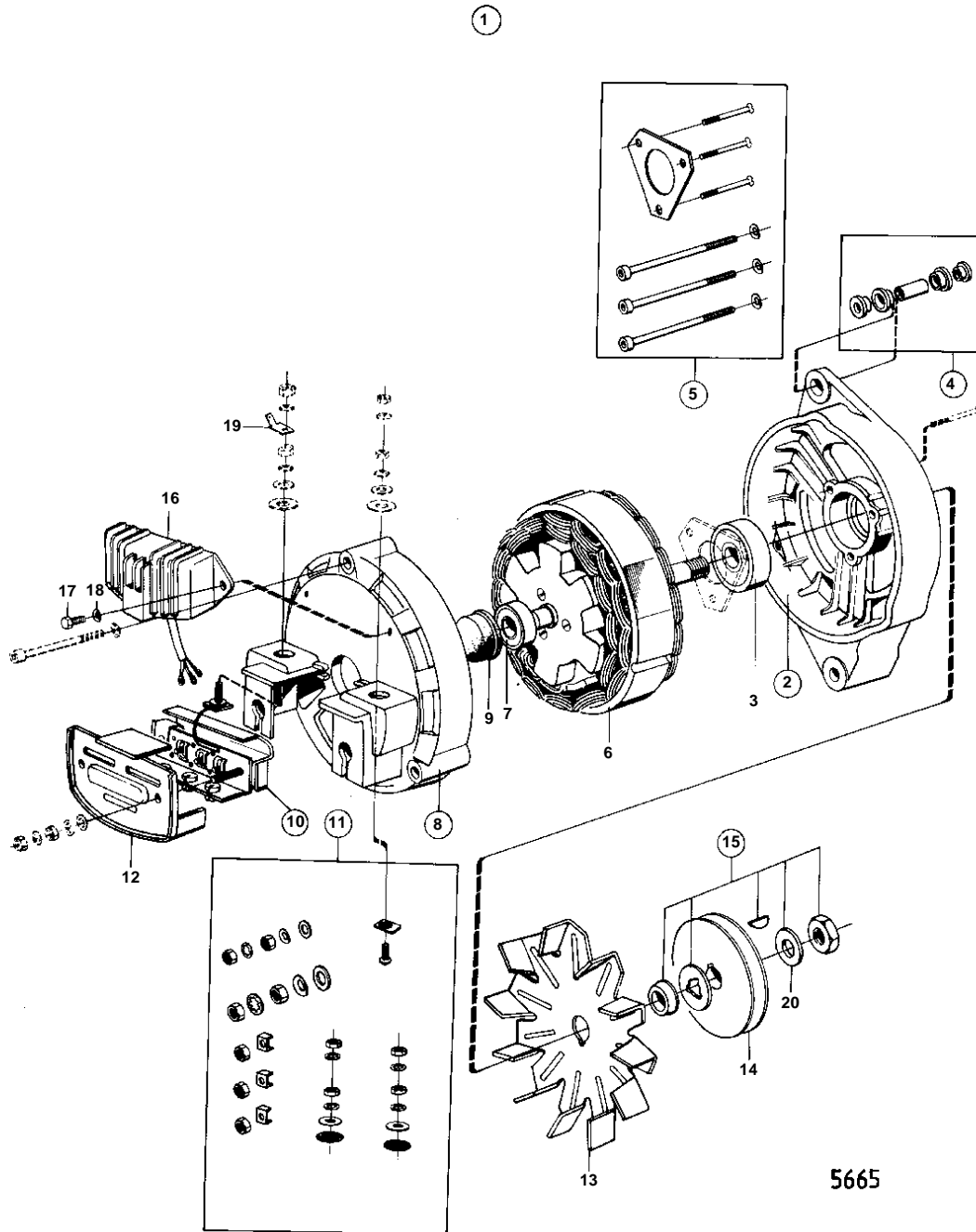


COMMON



COMMON

REF	PART NO.	QTY	DESCRIPTION	SEE SEC.	NOTES
1	841770	1	Alternator		14V,35A
			Bulletin 49-04	49-04-EN	Alternators
2	831845	1	· End plate		
3	181601	1	· · Ball bearing		
4	465033	1	· · Guide		
5	6211438	1	· · Screw kit		
6		1	· ROTOR AND STATOR		
7	181797	1	· Ball bearing		
8	831847	1	· End plate		
9	831848	1	· · Cover		
10	841575	1	· Diode kit		SECOND STATION.
11	831851	1	· · Screw kit		
12	831854	1	· Cover		
13	831855	1	· Fan		
14	834646	1	· Pulley		
15	831857	1	· Mounting kit		
16	841688	1	· Regulator		
17	955243	2	· Screw		
18	941905	2	· Spring washer		
19	829311	1	· Spade terminal		
20	955899	1	· Washer		