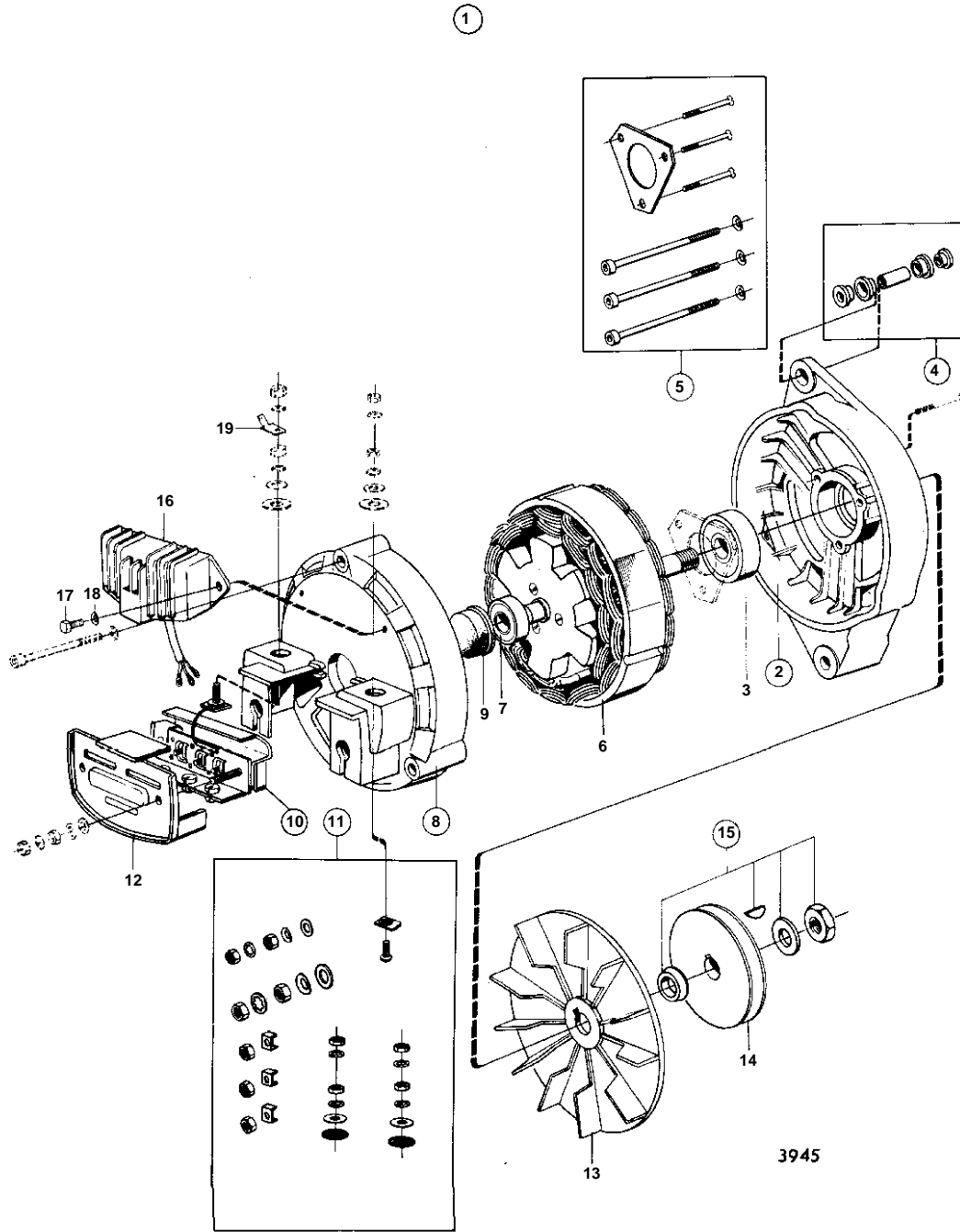


COMMON



COMMON

REF	PART NO.	QTY	DESCRIPTION	NOTES
1	834965	1		14V,35A
2	831845	1	· End plate	
3	181601	1	· · Ball bearing	
4	465033	1	· · Guide	
5	6211438	1	· · Screw kit	
6		1	· ROTOR AND STATOR	
7	181797	1	· Ball bearing	
8	831847	1	· End plate	
9	831848	1	· · Cover	
10	841575	1	· Diode kit	SECOND STATION.
11	831851	1	· · Screw kit	
12	831854	1	· Cover	
13		1	· FAN	INCLUDED IN SPARK PLUG KIT 875820.
	831855	1	· Fan	
14	834646	1	· Pulley	
15	831857	1	· Mounting kit	INCLUDED IN SPARK PLUG KIT 876077.
16	841688	1	· Regulator	
17	955243	2	· Screw	
18	941905	2	· Spring washer	
19	829311	2	· Spade terminal	