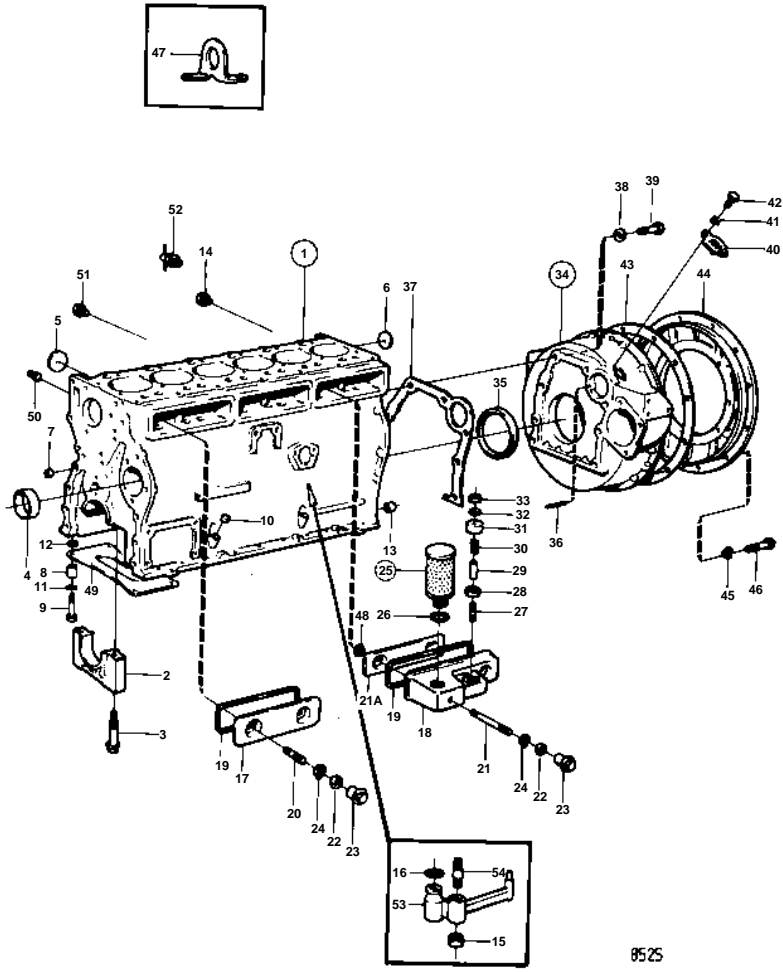


AQAD40A,AQAD40B,TAMD40A,TAMD40B



AQAD40A,AQAD40B,TAMD40A,TAMD40B

REF	PART NO.	QTY	DESCRIPTION	NOTES
1	1542463	1	Cylinder block	
	1545051	1	Cylinder block	REPL BY 838981
	838981	1	Cylinder block	
2		7	· BEARING CAP	
3	1542416	14	· Screw	
4	1542067	7	· Bushing	
5	463905	5	· Expansion plug	
6	1542263	1	· Expansion plug	
7	955083	4	· Cap plug	
8	1545160	4	· Spacer sleeve	
9	955324	4	· Screw	
10	955082	3	· Cap plug	
11	941908	4	· Spring washer	
12	1545204	4	· Spacer sleeve	
13	415311	2	· Sleeve	
14	955082	3	· Cap plug	
15	946035	6	Lock nut	
16	955981	6	O-ring	
17	1542050	2	Inspection lid	
18	842995	1	Housing	
19	1542052	3	Rubber seal	IK
20	924075	5	Stud	
21	17378	1	Stud	
21A	843882	1	Splash plate	
22	469846	6	Sealing ring	IK (424342)
23	1542286	6	Cap nut	
24	914449	6	Lock ring	
25	875850	1	Filter	REPL BY 876069
	876069	1	Filter	
26	843449	1	· Gasket	IK
27	924058	1	Stud	
28	842972	1	Valve disc	
29	842974	1	Spacer sleeve	
30	843905	1	Spring	
31	842975	1	Cover	
32	421158	1	Sealing ring	IK
33	963105	1	Nut	
34	829467	1	Flywheel housing	
35	1542204	1	· Sealing ring	IK
36	404069	1	· Setting indicator	
37	829487	1	Gasket	IK
38	941908	8	Spring washer	
39	955320	6	Screw	L = 40 MM
	955321	2	Screw	L = 45 MM
40	407092	1	Cover	
41	941906	2	Spring washer	
42	955269	2	Screw	
43	829488	1	Gasket	IK SEE GROUP 4A
44	829489	1	Cover	ONLY WHEN REVERSE GEAR IS INSTALLED.
45	941908	11	Spring washer	
46	955319	11	Screw	
47		1	LIFT EYE	
48	844051	1	Spring washer	
49	1545159	1	Foot plate	
50	952077	2	Plug	
51	191026	5	Plug	
52	947893	1	Drain cock	
53	1542320	6	Oil jet	
54	1542380	6	Stud	