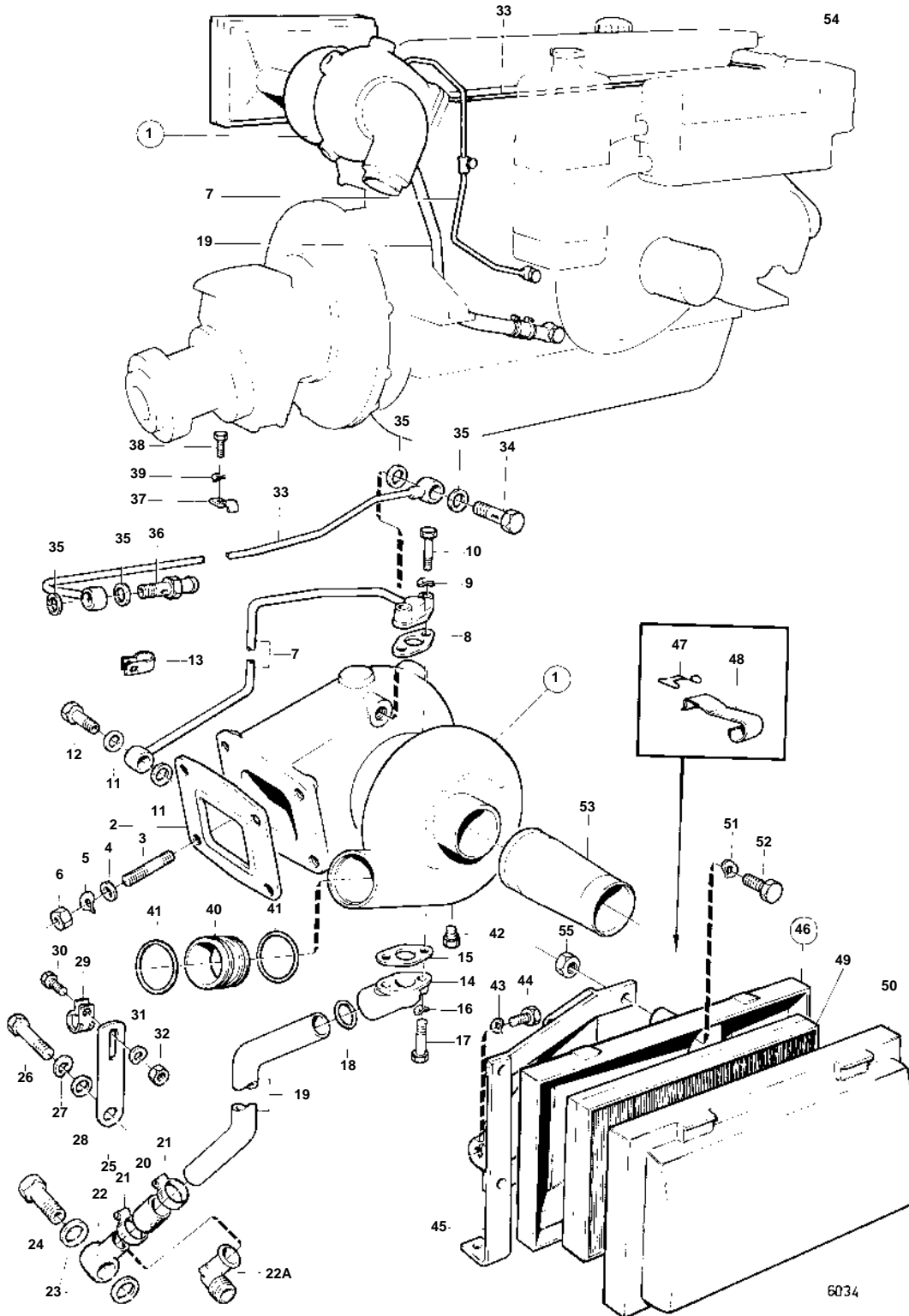


AQD40A,TMD40A



# TURBO COMPRESSOR AND AIR FILTER WITH INSTALLATION COMPONENTS

# 02B

AQD40A,TMD40A

REF	PART NO.	QTY	DESCRIPTION	SEE SEC.	NOTES
1	829368	1	Turbo, TURBO		
	3802003	1	Turbocharger, exch		Exchange unit
				02B-2050	
2	843009	1	Gasket	IK	
3	953063	4	Stud		INCLUDED IN TURBO COMPRESSOR.
4	955895	4	Washer		
5	941908	4	Spring washer		
6	940183	4	Nut		
7	842938	1	Oil feed pipe		
8	842943	1	Gasket	IK	
9	941907	2	Spring washer		
10	940142	2	Screw		
11	18671	2	Gasket	IK	
12	25167	2	Hollow screw		
13	191992	1	Clamp		
14	842942	1	Flange		FOR 844036
15	842986	1	Gasket	IK	
16	941907	2	Spring washer		
17	955299	2	Screw		FOR 844036
	955297	2	Screw		FOR 838535
18	947061	1	Gasket	IK	FOR 844036
19		1	RETURN PIPE		EARLY TYPE. REPLACED BY 1EA 844036, 1EA 843879.
	844036	1	Oil return pipe		LATE TYPE
20	466328	1	Rubber hose		EARLY TYPE, L = 60 MM
	192358	X	Rubber hose		LATE TYPE, L = 90 MM
21	943474	2	Hose clamp		
22		1	PIPE		EARLY TYPE. REPLACED BY 1EA 843879, 1EA 192358.
22A	843879	1	Elbow nipple		LATE TYPE
23	18677	2	Gasket		EARLY TYPE
24	191157	1	Hollow screw		EARLY TYPE
25	843711	1	Bracket		
26	955361	1	Screw		
27	941912	1	Spring washer		
28	955900	1	Washer		
29	952632	1	Clamp		
30	955269	1	Screw		
31	941906	1	Spring washer		
32	946035	1	Lock nut		
33	842699	1	Tube, PIPE		EARLY TYPE, MO-13270
					MO 13485-13752
	845033	1			MO-24591. REPLACED BY 1EA 846214 PIPE, 2EA 846216 HOLLOW BOLT, 2EA 957174 PACKING, 2EA 957175 PACKING, 2EA 18344 CLAMP.
	846214	1	Tube		MO 24592-
34	942806	1	Hollow screw		
35	957173	4	Gasket	IK	
36	843273	1	Hose coupling		EARLY TYPE
				02B-0800	
	942806	1	Hollow screw		LATE TYPE
37	191487	2	Clamp		
38	955269	2	Screw		
39	941906	2	Spring washer		
40	842965	1	Tube		02B-2150
41	948610	2	O-ring	IK	02B-2150
42	192134	1	Plug		
43	941908	2	Spring washer		
44	955321	2	Screw		EARLY TYPE, L = 45 MM
	955317	2	Screw		LATE TYPE, L = 25 MM

7744060 - 02B - 02B-2000

6034

Upd: 19 JUN 2006

MD40, TMD40, AQD40, TAM40, AQAD40

**VOLVO**  
**PENTA**

**TURBO COMPRESSOR AND AIR FILTER WITH INSTALLATION COMPONENTS**

**02B**

AQD40A,TMD40A

REF	PART NO.	QTY	DESCRIPTION	SEE SEC.	NOTES
45		1	BRACKET		EARLY TYPE. EARLY TYPE CONTAINING SEPARATE INSTALLED LIFT EYE AND AIR FILTER BRACKET ARE REPLACED BY 1EA BRACKET 844593, 2PC BOLT 955317.
	844593	1	Bracket		LATE TYPE
46	842680	1	Housing		
47	673792	4	· Lock		
48	463908	4	· Clamp		
49	463505	1	Insert		
50	842615	1	Cover		
51	941907	4	Spring washer		
52	959224	2	Screw		L = 35 MM
	959227	2	Screw		L = 50 MM
53	842639	1	Hose		
54		X	INDUCTION- AND EXHAUST MANIFOLD	02B-2150	
55	946036	4	Lock nut		