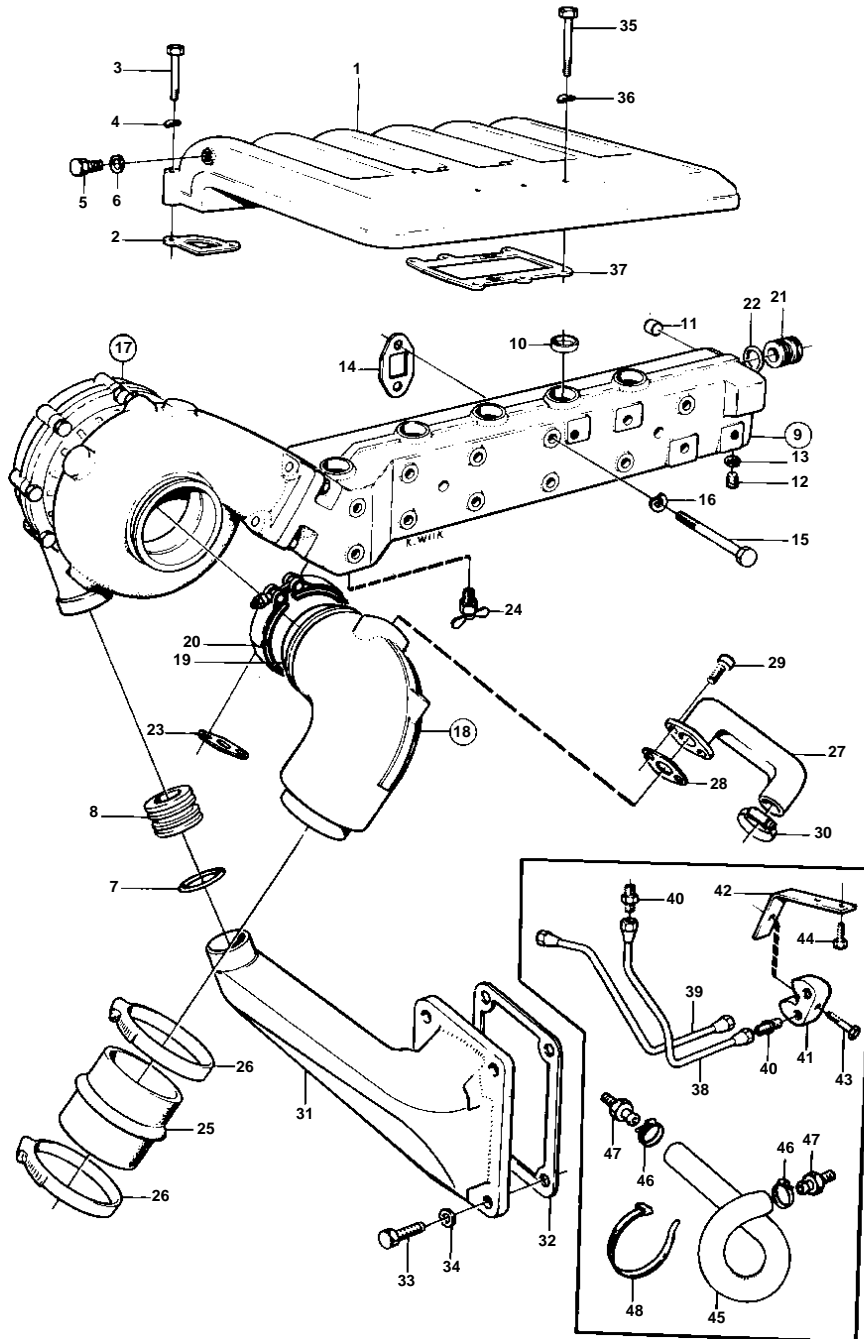


AQAD40A,AQAD40B,TAMD40A,TAMD40B



8279

INDUCTION- AND EXHAUST MANIFOLD AND COOLING WATER OVERSPILL

02B

AQAD40A,AQAD40B,TAMD40A,TAMD40B

REF	PART NO.	QTY	DESCRIPTION	SEE SEC.	NOTES
1	843513	1	Inlet pipe		
2	1542289	6	Gasket	IK	
3	955302	10	Screw		L = 60 MM
	955303	2	Screw		L = 65 MM
4	941907	10	Spring washer		
5	960628	1	Plug		
6	947281	1	Gasket	IK	
7	842965	1	Tube	02B-2025	
8	948610	2	O-ring	IK 02B-2025	
9	842569	1	Exhaust pipe		
10	946780	11	· Cap plug		
11	955074	1	· Plug		
12	960632	2	Plug		
13	957181	2	Gasket		
14	1542123	6	Gasket	IK	(1542177)
15	955336	2	Screw		L = 160 MM
	955332	7	Screw		L = 120 MM
	955333	3	Screw		L = 130 MM
16	941908	8	Spring washer		
17	845294	1	Turbo	02B-2075	
	3802033	1	Turbocharger, exch		Exchange unit
18	845261	1	Exhaust riser		
19	845408	1	Gasket	IK	
20	842993	1	Clamp		
21	842965	2	Tube	02B-0900	
				02B-0825	
22	925067	4	O-ring	IK 02B-0900	
				02B-0825	
23	843042	1	Gasket	IK	
24	947893	1	Drain cock		
25	843228	1	Exhaust hose		SEE GROUP 4A
26	853012	2	Hose clamp		(961676)
27	845528	1	Connector		
28	845527	1	Gasket	IK	
29	959219	2	Screw		
30	961670	2	Hose clamp	02B-0825	
31	845453	1	Connection pipe		EXCL AQAD40B/290,290DP
	838456	1	Tube		TAMD40B MO-43384
					AQAD40B/290,290DP
					TAMD40B MO43385-
32	845353	1	Gasket	IK 02B-0825	
33	955297	4	Screw		FOR 845453
	955297	2	Screw		FOR 838456
	940129	2	Screw, SCREW RESILIENT WASHER		FOR 838456
34	941907	4	Spring washer		
35	955304	4	Screw		L = 70 MM
	955303	2	Screw		L = 65 MM
36	941907	6	Spring washer		
37	844084	1	Gasket	IK	
38	845857	1	Tube		REPLACED BY 1EA HOSE-943366,2EA CLAMP-943469 AND 2EA NIPPLE-1136965.
39	845858	1	Tube		REPLACED BY 1EA HOSE-943366,2EA CLAMP-943469 AND 2EA NIPPLE-1136965.
40	954337	4	Nipple		
41	829146	1	Pipe connection		
42	845859	1	Bracket		
43	955275	1	Screw		
44	955300	1	Screw	02B-0825	
45	943366	2	Hose		L = 3800 MM
46	943469	4	Clamp		
47	1136965	4	Hose nipple		
48	948210	X	Strip clamp		

7744060 - 02B - 02B-2200

8279

Upd: 19 JUN 2006

MD40, TMD40, AQD40, TAMD40, AQAD40

**VOLVO
PENTA**