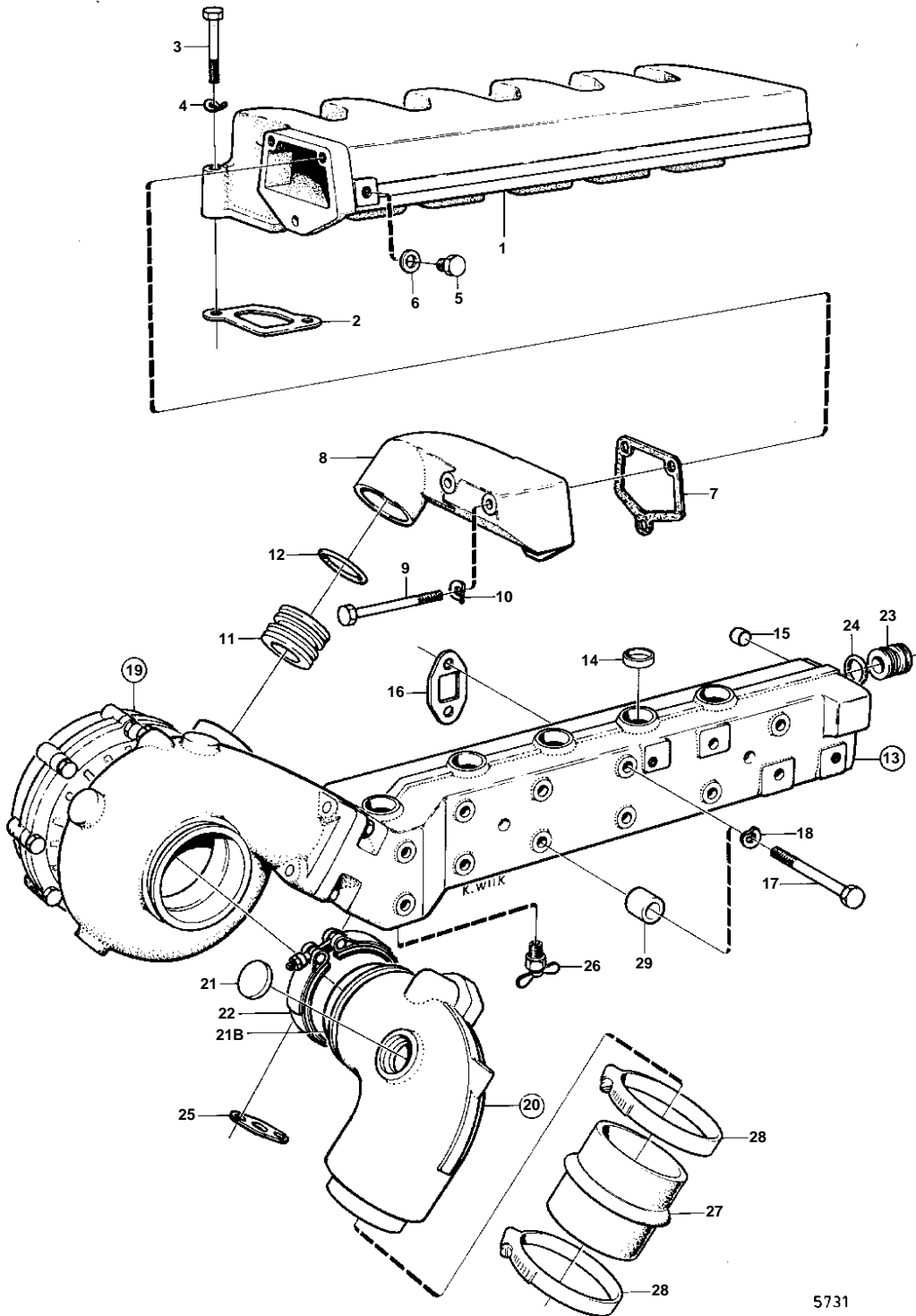


TMD40B,TMD40C



INDUCTION- AND EXHAUST MANIFOLD WITH INSTALLATION COMPONENTS

02B

TMD40B,TMD40C

REF	PART NO.	QTY	DESCRIPTION	SEE SEC.	NOTES
1	842643	1	Inlet pipe		
	844786	1	Inlet pipe		
2	1542289	6	Gasket	IK	
3	955302	12	Screw		L = 60 MM. MO6242-6275, MO7328-.
	955302	10	Screw		L = 60 MM, LATE TYPE. EXCL MO6101-6275.
	955303	2	Screw		L = 65 MM, LATE TYPE. EXCL MO6101-6275.
4	941907	12	Spring washer		
5	960628	1	Plug		
6	947281	1	Gasket	IK	
7	842645	1	Gasket	IK	
8	842653	1	Tube		
9	955306	2	Screw		L = 80 MM
	940132	1	Screw		L = 35 MM
10	941907	3	Spring washer		
11	842965	1	Tube	02B-2010	
12	948610	2	O-ring	IK 02B-2010	
13	842569	1	Exhaust pipe		
14	946780	11	· Cap plug		
15	955074	1	· Plug		
16	1542123	6	Gasket	IK	(1542177)
17	955336	2	Screw		L = 160 MM
	955334	4	Screw		L = 140 MM, ALT
	955334	1	Screw		L = 140 MM, ALT. WHEN EXPANSION TANK IS NOT INSTALLED ON EXHAUST MANIFOLD.
	955332	3	Screw		L = 120 MM, ALT. WHEN EXPANSION TANK IS NOT INSTALLED ON EXHAUST MANIFOLD.
	955332	5	Screw		L = 120 MM
	955332	1	Screw		L = 120 MM, EARLY TYPE
	955333	1	Screw		L = 130 MM, LATE TYPE
18	941908	12	Spring washer		
19	829368	1	Turbo	IK 02B-2050	
	3802003	1	Turbocharger, exch		Exchange unit
20	843217	1	Exhaust riser		MO-20784. REPLACED BY 1EA 845261 1EA 845791 1EA 845527 2EA 959219.
	845261	1	Exhaust riser		MO 20785-
21	192426	2	· Plug		INCLUDED IN 843217.
21B	845408	1	· Gasket		INCL. IN 854261.
22	842993	1	Clamp		
23	842965	2	Tube, ADAPTER SEALING RING	02B-0910	
24	925067	4	O-ring	IK 02B-0910	
25	843042	1	Gasket	IK	
26	82745	1	Tap		
27	843228	1	Exhaust hose		SEE GROUP 4A
28	943483	2	Hose clamp		SEE GROUP 4A
29	824205	1	Spacer sleeve		WHEN EXPANSION TANK IS NOT INSTALLED ON EXHAUST MANIFOLD.