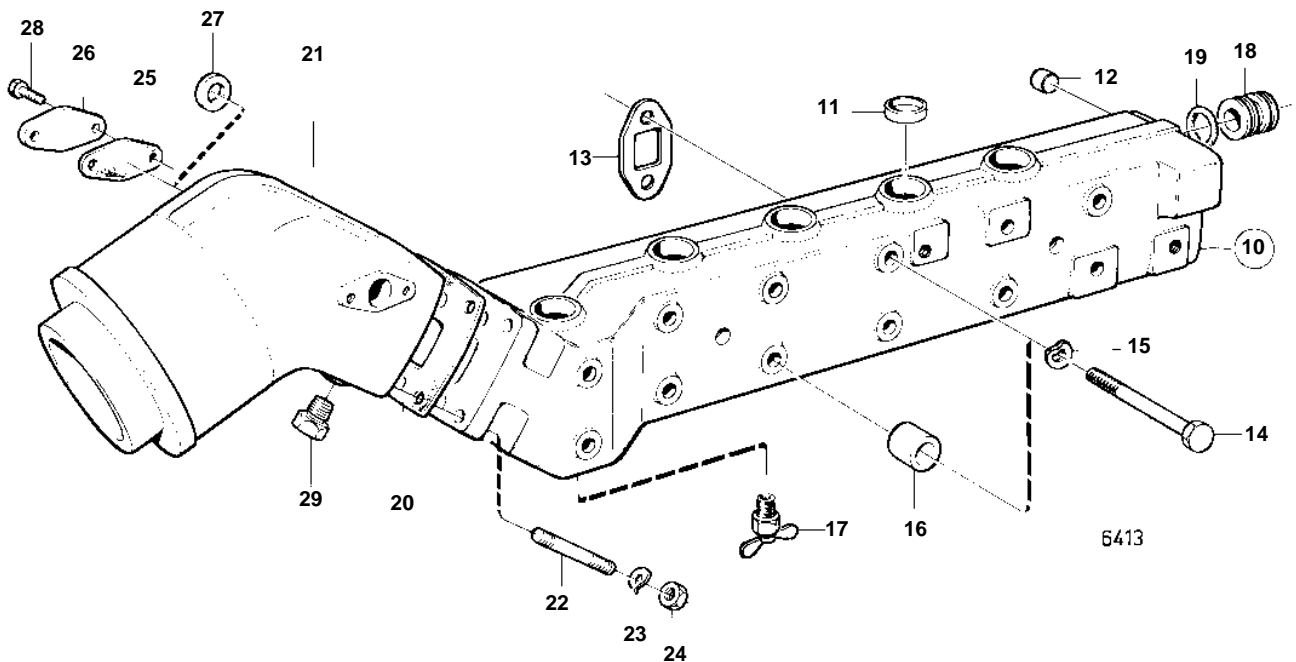
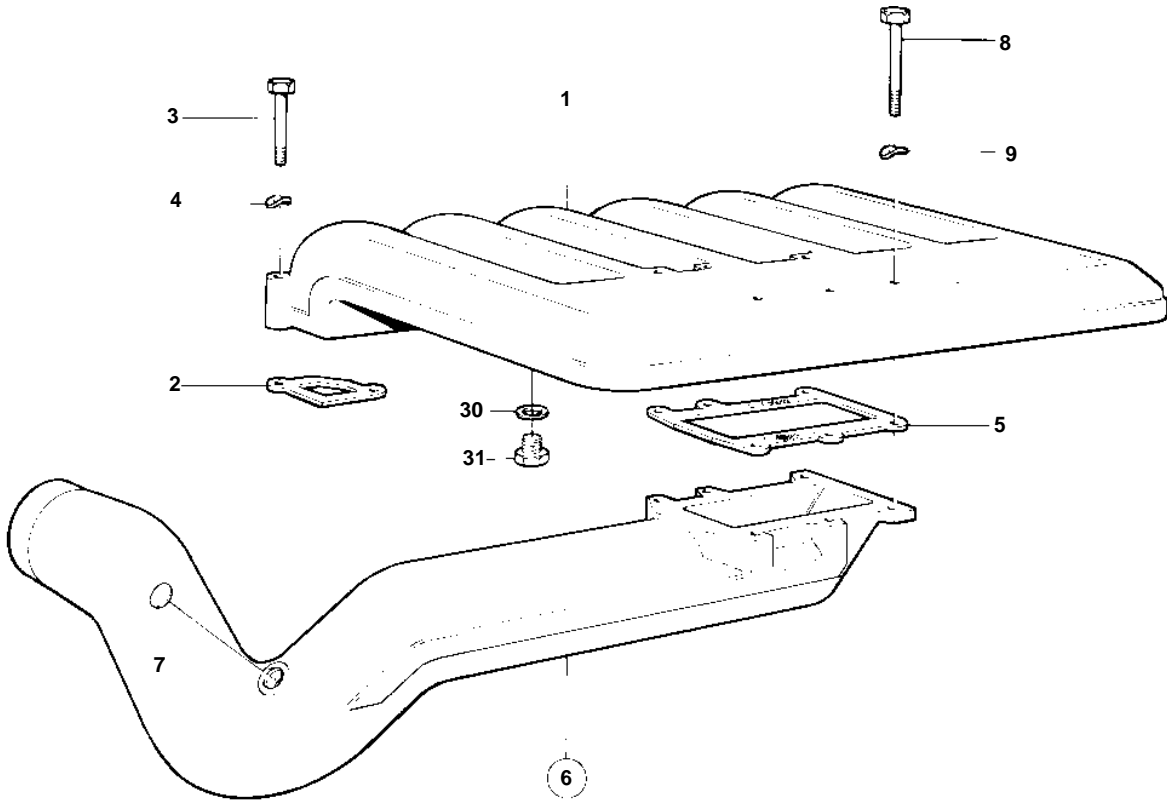


MD40A



INDUCTION- AND EXHAUST MANIFOLD WITH INSTALLATION COMPONENTS

02B

MD40A

REF	PART NO.	QTY	DESCRIPTION	SEE SEC.	NOTES
1	843513	1	Inlet pipe		
2	1542289	6	Gasket	IK	
3	955302	12	Screw		EARLY TYPE
	955302	10	Screw		LATE TYPE
	955303	2	Screw		LATE TYPE, SEE GROUP 2A
4	941907	12	Spring washer		
5	844084	1	Gasket	02B-1950	
6	844249	1	Tube	02B-1950	
7	955095	2	· Washer		
8	955303	6	Screw		
9	941907	6	Spring washer		
10	842569	1	Exhaust pipe		
11	946780	11	· Cap plug		
12	955074	1	· Plug		
13	1542123	6	Gasket	IK	(1542177)
14	955332	7	Screw		L = 120 MM, LATE TYPE
	955532	8	Screw		L = 95 MM, EARLY TYPE
	955336	2	Screw		L = 160 MM
	955334	1	Screw		L = 140 MM
	955333	1	Screw		L = 130 MM, LATE TYPE
15	941908	12	Spring washer		
16	824205	1	Spacer sleeve		
17	82745	1	Tap		
18	842965	2	Tube, ADAPTER SEALING		
				02B-0800	
				02B-0900	
19	925067	4	O-ring, RING	IK	02B-0800
					02B-0900
20	843009	1	Gasket	IK	
21	844091	1	Exhaust riser		
22	924079	4	· Stud		
23	955895	4	Washer		
24	940183	4	Nut		
25	843042	1	Gasket		
26	844093	1	Flange		
27	842913	1	Sealing ring	IK	SEE GROUP 4A
28	955271	2	Screw		
29	192134	1	Plug		
30	957173	1	Gasket		
31	960628	1	Plug		