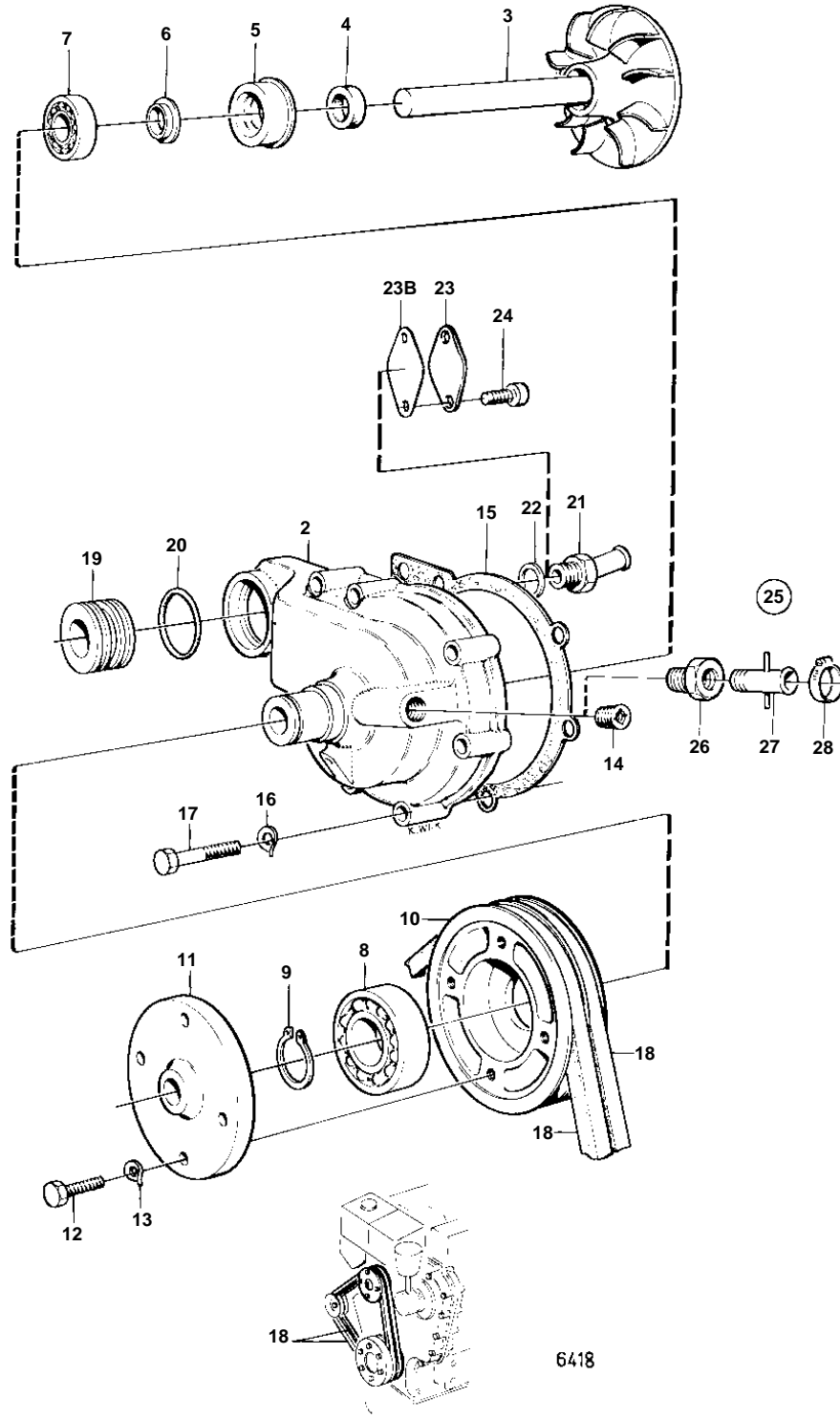


MD40A,AQD40A,TMD40A,AQAD40A,AQAD40B,TAMD40A,TAMD40B



MD40A,AQD40A,TMD40A,AQAD40A,AQAD40B,TAMD40A,TAMD40B

REF	PART NO.	QTY	DESCRIPTION	SEE SEC.	NOTES
1		1	CIRCULATION PUMP		REPLACED BY 1EA 844422, 1EA 844416, 1EA 418445, 2EA 955271.
	844422	1	Circulation pump		LATE TYPE
2		1	· HOUSING		
3		1	· SHAFT WITH IMPELLER	IK	
4	421306	1	· Wear ring	IK	
5	1545283	1	· Sealing ring	IK	(1542833) MO 31380-
6	70913	1	· Deflector	IK	
7	1660609	1	· Ball bearing	IK	(181670)
8	181538	1	· Ball bearing	IK	
9	914462	1	· Lock ring	IK	
10	1542235	1	· Pulley		
11	1542236	1	· Hub		
12	955295	4	· Screw		
13	941907	4	· Spring washer	IK	
14	952077	1	· Plug		
15	1542229	1	Gasket	IK	
16	941907	7	Spring washer		
17	955298	6	Screw		
	955307	1	Screw		L = 100 MM, SEE GROUP 3
18	958359	1	Drive belt set		L = 2X1100 MM SEE GROUP 3
19	842965	1	Tube	02B-0800 02B-0825	
20	925067	2	O-ring	IK 02B-0800 02B-0825	
21	941534	1	Elbow nipple		EARLY TYPE. EXCL SPEC. 867560 867561 867562 867563 867564 867565.
				02B-0800 02B-0825	
22	418445	1	Sealing ring, SEAL RING GASKET		LATE TYPE. EXCL SPEC. 867560 867561 867562 867563 867564 867565.
	418771	1	Gasket	02B-0825 02B-0800	
23	418213	1	Flange		FOR SPEC. 867560 867561 867562 867563 867564 867565.
23B	418771	1	Gasket		(418214)
24	955271	2	Screw		FOR SPEC. 867560 867561 867562 867563 867564 867565.
25	845277	1	Heating output	02B-0800 02B-0825	
26	16291	2	· Nipple		
27	365287	2	· Tap		
28	961666	2	· Hose clamp		
	875626	1	Repair kit		SEE GROUP 10A