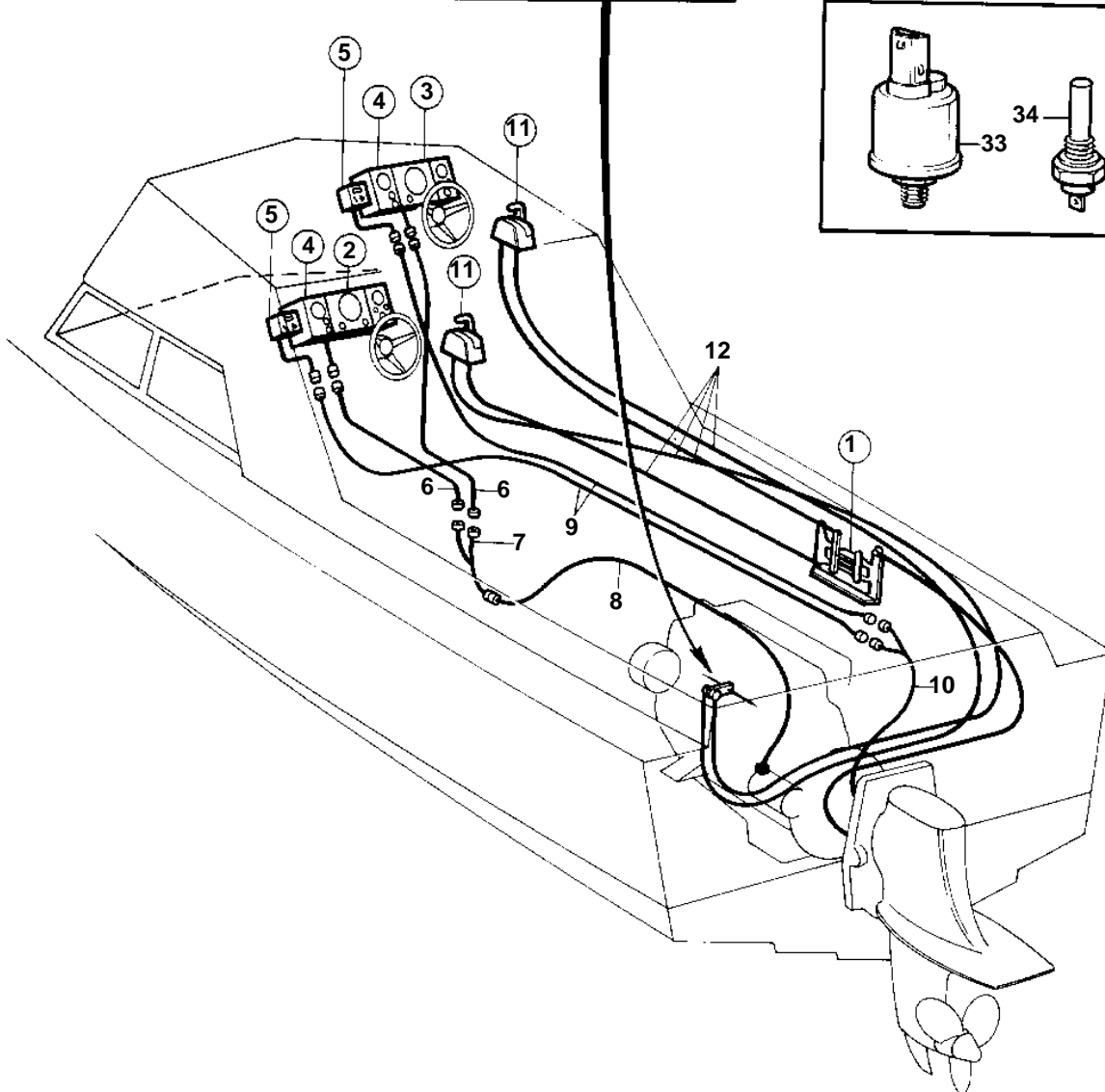
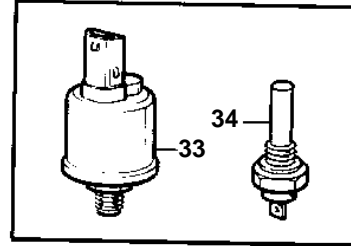
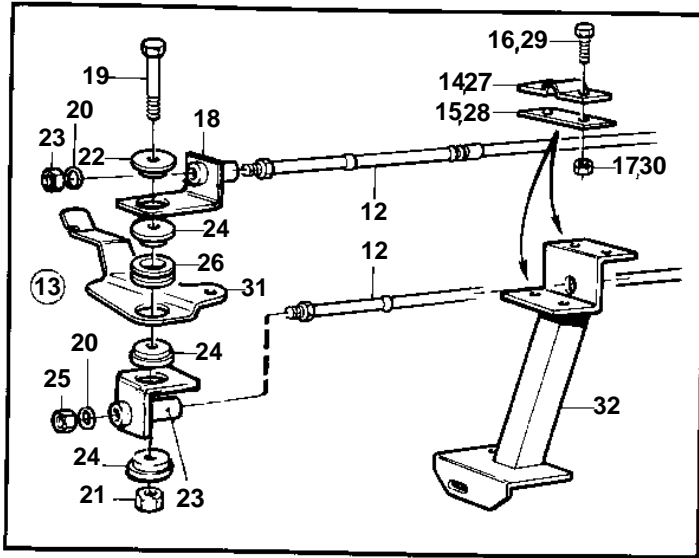


COMMON



11080

COMMON

REF	PART NO.	QTY	DESCRIPTION	SEE SEC.	NOTES
1	828164	1	Collector		
				090-2550	
2		1	INSTRUMENT PANEL		STD, SEE GROUP 3
3	864043	1	Instrument panel		
				090-1432	
4	858874	1	Instrument panel		
				090-1421	
5		2	TRIMMER		SEE GROUP 4A
6	846648	X	Extension cable		L = 3000 MM
	846649	X	Extension cable		L = 5000 MM
	846650	X	Extension cable		L = 7000 MM
7	1140598	1	Y-koppling		
8		1	CABLE UNIT		SEE GROUP 3
9	853052	1	Extension cable'verl		
10		1	CABLE UNIT		
			CABLES AND TERMINALS		SEE GROUP 3
11		X	CONTROL		
12		X	CONTROL CABLE	090-0900	
13	861221	1	Speed control kit		(858770)
14	819067	1	· Brace		
15	819068	1	· Washer		
16	956078	2	· Screw		
17	951674	2	· Lock nut		
18	861215	1	· Bracket		
19	955275	1	· Screw		
20	955971	2	· O-ring		
21	946035	1	· Lock nut		
22	843105	1	· Spacer washer		
23	861214	1	· Bracket		
24	843105	3	Spacer washer		
25	951674	2	Lock nut		
26	843109	1	Bushing		
27	819067	1	Brace		
28	819068	1	Washer		
29	956078	2	Screw		
30	951674	2	Lock nut		
31		1	BRACKET		SEE GROUP 2D
32		1	BRACKET		SEE GROUP 2D
33	862568	1	Oil pressure sensor		
34	840074	1	Temperature sensor		
	862567	1	Temperature sensor		FOR ENGINES WITH 1,5 POLE ELECTRICAL SYSTEM