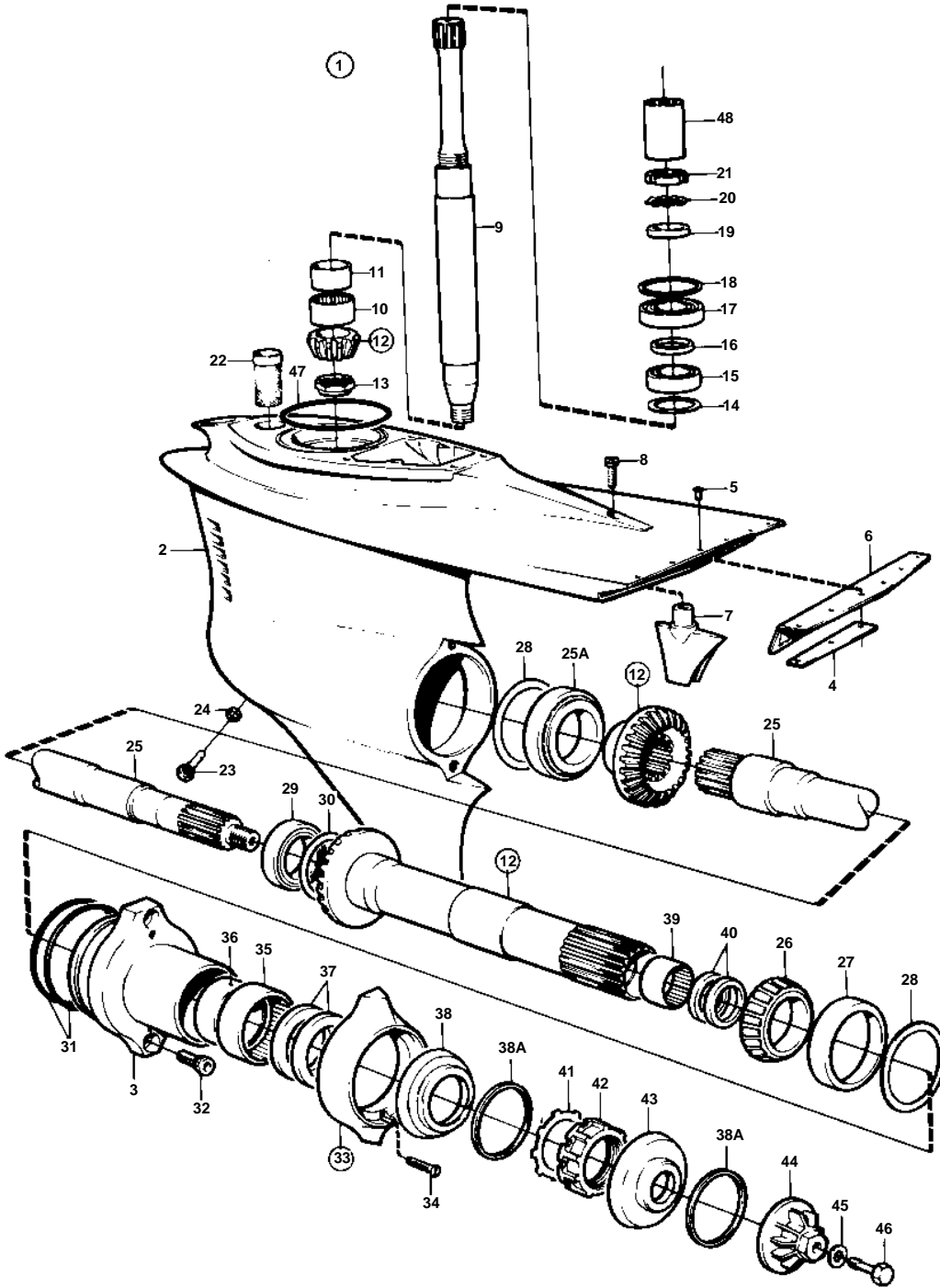


DRIVE DP280,DRIVE 290DP



7718

**DRIVE DP280,DRIVE 290DP**

REF	PART NO.	QTY	DESCRIPTION	NOTES
1	852408	1	Gear under	RATIO 2.30:1. EXCHANGE PARTS.
2	852194	1	· Housing	
3	852456	1	· · Bearing housing	
4	852643	2	· · Attaching plate	
5	948338	6	· · Pop rivet	
6	948338	1	· · Pop rivet	
7	852646	1	· · Steering fin	
8	941817	1	· Screw	
9	852183	1	· Countershaft	
10	184654	1	· Needle bearing	
11	184682	1	· Cone	
12	852380	1	· Gear set	
13	852212	1	· Nut	
14	941832	X	· Adjusting washer	TH = 0,05 MM
	941833	X	· Adjusting washer	TH = 0,20 MM
15	183374	1	· Ball bearing	
16	944970	X	· Adjusting washer	TH = 1,60 MM
17	11072	1	· Roller bearing	
18	944522	X	· Shim	TH = 0,05 MM
	42981	X	· Shim	TH = 0,10 MM
	42980	X	· Shim	TH = 1,0 MM
19	897387	1	· Spacer ring	
	968057	1	Shim	TH = 0,2 MM
20	907023	1	· Lock washer	IK TH = 0,35 MM
21	906633	1	· Nut	
22	814482	1	· Oil pump screen	
23	852904	1	· Magnetic plug	
24	955974	1	· O-ring	IK
25	852181	1	· Driveshaft	
25A	11044	1	· Bearing	
26	184690	1	· Bearing	
27	184689	1	· Cup	
28	941823	X	· Adjusting washer	TH = 0,10 MM
	967352	X	· Adjusting washer	TH = 0,05 MM
	941823	X	· Adjusting washer	TH = 0,10 MM
29	184691	1	· Bearing	TH = 0,15 MM
30	81374	X	· Adjusting washer	TH = 0,10 MM
	81375	X	· Adjusting washer	TH = 0,15 MM
	81376	X	· Adjusting washer	TH = 0,35 MM
31	925258	2	· O-ring	IK
32	941812	2	· Screw	
33	875821	1	· Zinc ring kit	
		1	· · ZINC RING	
34	966808	2	· · Screw	
35	183859	1	· Needle bearing	
36	184683	1	· Cone	
37	851407	2	· Sealing ring	IK
38	853440	1	· Line cutter	(852198). FORWARD
38A	853584	2	· Plastic washer	(853447)
39	183859	1	· Needle bearing	
40	851406	2	· Sealing ring	IK
41	852197	1	· Lock washer	
42	852196	1	· Propeller nut	
43	853441	1	· Line cutter	(852206) REAR
44	852201	1	· Propeller nut	(852206). REAR
45	941670	1	· Washer	
46	852216	1	· Lock screw	
47	925256	1	O-ring	IK INCLUDED IN COMPLETE DUOPROP DRIVE UNIT.
48	850304	1	Splined sleeve	INCLUDED IN COMPLETE DUOPROP DRIVE UNIT.