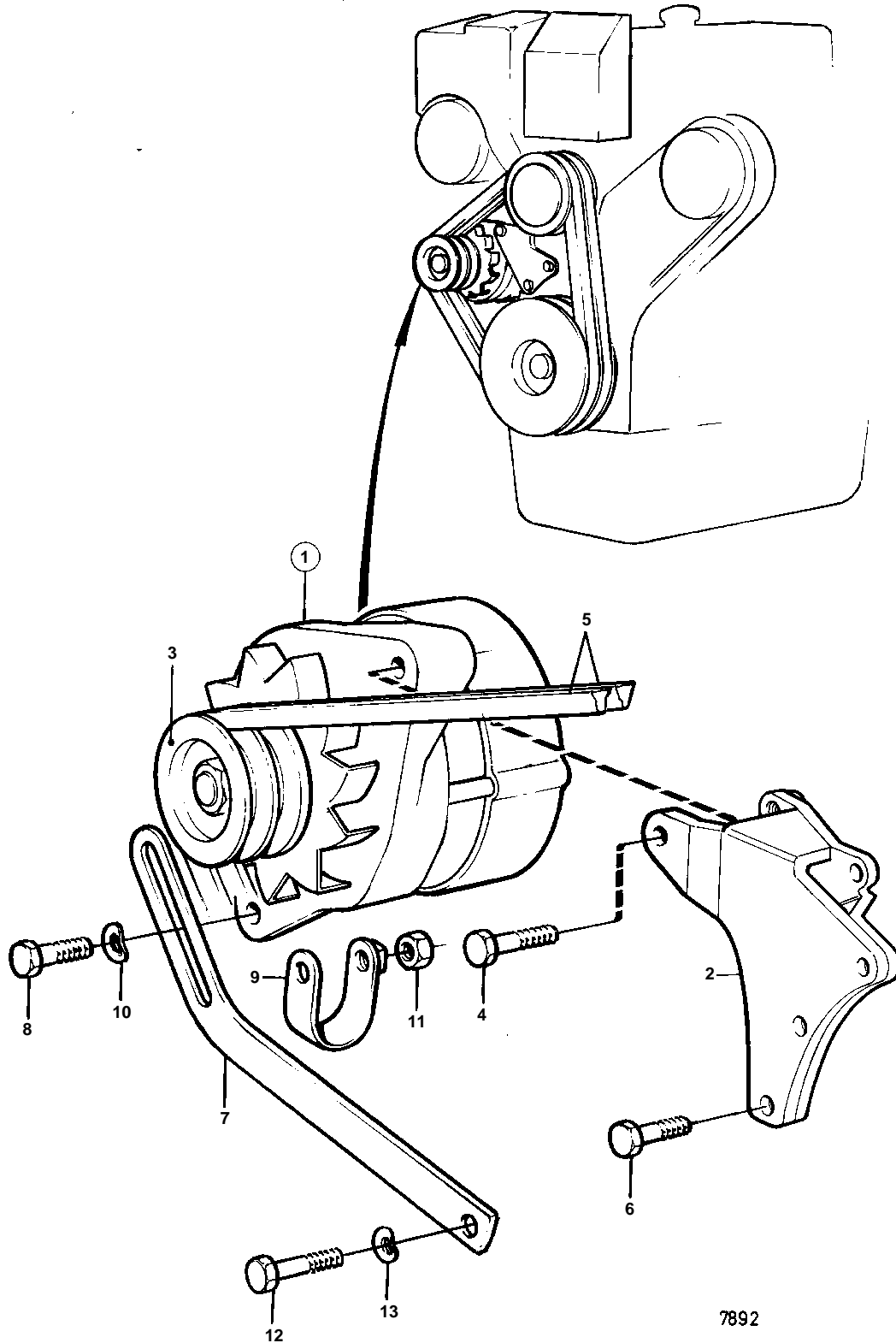


COMMON



COMMON

REF	PART NO.	QTY	DESCRIPTION	NOTES
1	845940	1	Alternator COMPONENTS	SEE GROUP 3
2	858079	1	Bracket	
3		1	PULLEY	SEE GROUP 2A
4	955554	1	Screw	
5		X	DRIVEBELT	SEE GROUP 2B
6	965182	2	Flange screw	L = 80 MM
	100222	1	Screw	L = 85 MM
	965179	1	Flange screw	L = 50 MM
7	845021	1	Tensioner	
8	955298	1	Screw	
9	466735	1	Tensioning eyelet	
10	191172	1	Washer	
11	963106	1	Nut	
12	955306	1	Screw	
13	941907	1	Spring washer	