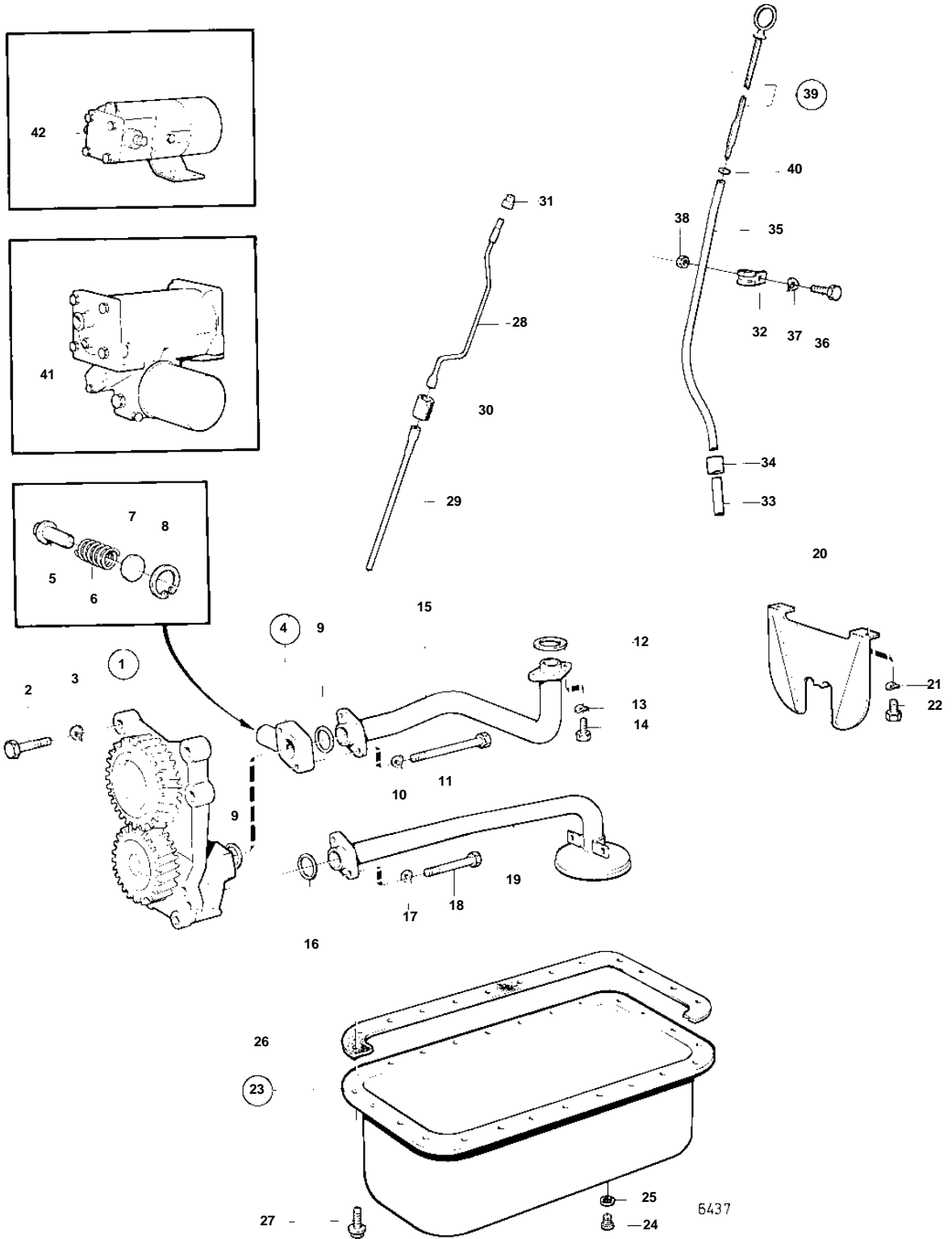


MD30A,TMD30A,AQAD30A,TAMD30A



MD30A,TMD30A,AQAD30A,TAMD30A

REF	PART NO.	QTY	DESCRIPTION	SEE SEC.	NOTES
1		1	OIL PUMP		
				02A-0400	
2	955299	4	Screw		
3	941907	4	Spring washer		
4	1542255	1	Reducing valve		
5	471115	1	· Reducing valve		
6	1542257	1	· Spring		
7	948343	1	· Washer		
8	914506	1	· Lock ring		
9	469482	2	O-ring	IK	
10	941907	2	Spring washer		
11	100222	2	Screw		(940129)
12	1542385	2	Sealing ring	IK	
13	941907	2	Spring washer		
14	955295	2	Screw		
15	859055	1	Tube		
16	949657	1	O-ring	IK	
17	941907	2	Spring washer		
18	955302	2	Screw		
19	859054	1	Suction pipe		(858067)
20	846742	1	Baffle plate		
21	942385	2	Disc spring		
22	955293	2	Screw		
23	845887	1	Oil pan		
24	948187	1	· Plug	IK	
25	18818	1	· Gasket	IK	
26	1544124	1	Gasket	IK	
27	946440	26	Flange screw		
	946440	24	Flange screw		AQAD30A
	955295	2	Screw		SEE GROUP 2B
28	846008	1	Oil scavenging pipe		
29	846007	1	Oil scavenging pipe		
30	843533	1	Rubber hose		
31	943835	1	Plug		
32	946834	2	Clamp		
33	843692	1	Tube		
34	843533	1	Rubber hose		
35	846774	1	Tube		
36	955295	2	Screw		
37	960141	2	Washer		
38	946036	2	Lock nut		
39	846775	1	Oil dipstick		
40	949187	1	· O-ring		
41		1	OIL FILTER AND INSTALLATION COMPONENTS		
				02A-0450	
42		X	· EL. OIL SUMP PUMP		SEE GROUP 9