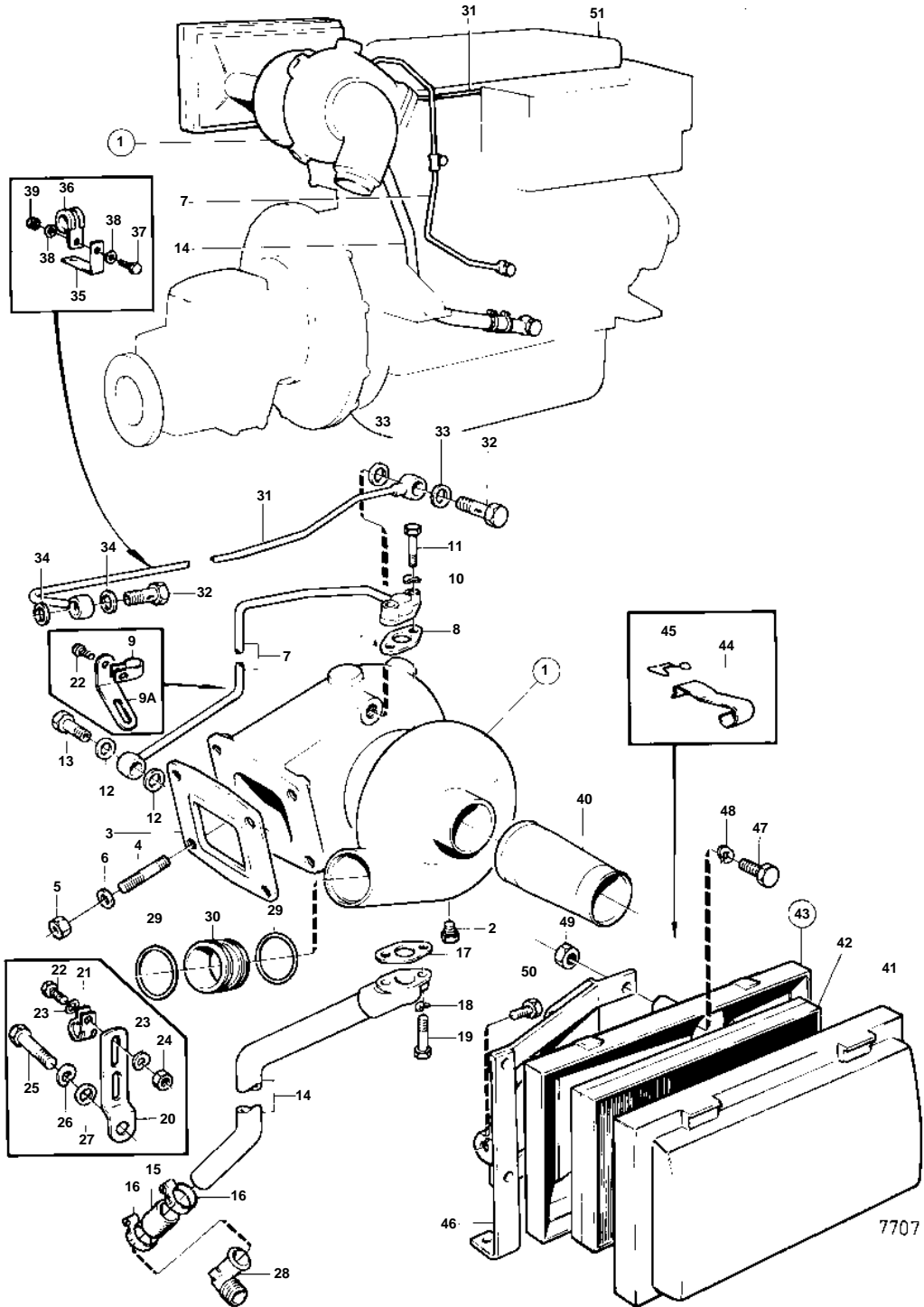


TMD30A



TURBO COMPRESSOR AND AIR FILTER WITH INSTALLATION COMPONENTS

02B

TMD30A

REF	PART NO.	QTY	DESCRIPTION	SEE SEC.	NOTES
1	846037	1	Turbo		
	3802020	1	Turbocharger, exch		Exchange unit
				02B-0550	
2	192134	1	Plug		
3	843009	1	Gasket	IK	
4	953063	4	Stud		INCLUDED IN TURBO COMPRESSOR.
5	940183	4	Nut		
6	955895	4	Washer		
7	846038	1	Tube		
8	842943	1	Gasket	IK	
9	952625	1	Clamp		
9A	414692	1	Bracket		
10	941907	2	Spring washer		
11	940142	2	Screw		
12	18671	2	Gasket	IK	
13	25167	1	Hollow screw		
14	846039	1	Tube		
15	466328	1	Rubber hose		
16	943474	2	Hose clamp		
17	842986	1	Gasket	IK	
18	941907	2	Spring washer		
19	955297	2	Screw		
20	1130611	1	Bracket		(948333)
21	952632	1	Clamp		
22	955269	2	Screw		
23	955892	2	Washer		
24	946035	2	Lock nut		
25	955270	2	Screw		
26	941912	1	Spring washer		
27	843122	1	Spacer sleeve		
28	843879	1	Elbow nipple		
29	948610	2	O-ring	IK 02B-0650	
30	842965	1	Tube	02B-0650	
31	846776	1	Tube		
32	846216	2	Hollow screw		
33	907132	2	Gasket		
34	947282	2	Gasket		
35	846780	2	Bracket		
36	952624	2	Clamp		
37	955271	1	Screw		
38	955894	2	Washer		
39	955781	1	Nut		
40	842639	1	Hose		
41	842615	1	Cover		
42	463505	1	Insert		
43	842680	1	Housing		
44	463908	4	Clamp		
45	673792	4	Lock		
46	844593	1	Bracket		
47	959224	2	Screw		L = 45 MM
	959227	2	Screw		L = 50 MM
48	941907	4	Spring washer		
49	946036	4	Lock nut		
50	955317	2	Screw		L = 25 MM
51			INDUCTION- AND EXHAUST MANIFOLD	02B-0650	