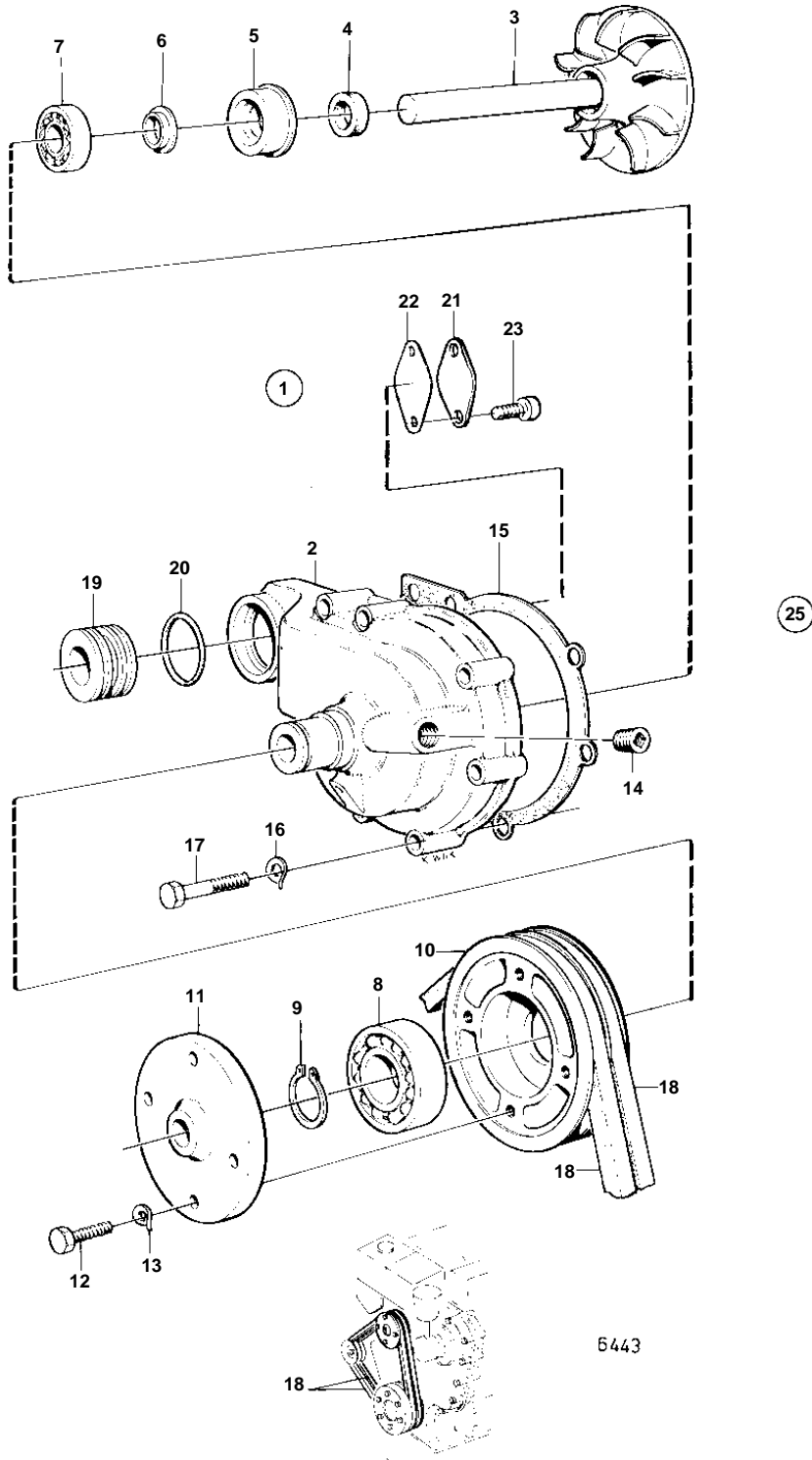


MD30A,TMD30A,AQAD30A,TAMD30A



MD30A,TMD30A,AQAD30A,TAMD30A

REF	PART NO.	QTY	DESCRIPTION	SEE SEC.	NOTES
1	846756	1	Circulation pump		
2		1	· HOUSING		
3		1	· SHAFT WITH IMPELLER		
4	421306	1	· Wear ring	IK	
5	1545283	1	· Sealing ring	IK	(1542833)
6	70913	1	· Deflector	IK	
7	1660609	1	· Ball bearing	IK	(181670)
8	181538	1	· Ball bearing	IK	
9	914462	1	· Lock ring	IK	
10	1542235	1	· Pulley		
11	1542236	1	· Hub		
12	955295	4	· Screw		
13	941907	4	· Spring washer	IK	
14	952077	1	· Plug		
15	1542229	1	Gasket	IK	
16	941907	7	Spring washer		
17	955298	6	Screw		L = 40 MM
18	958359	1	Drive belt set		L = 2X1100 MM SEE GROUP 3
19	842965	1	Tube	02B-0050	
20	925067	2	O-ring	02B-0050	
21	418213	1	Flange		
22	418771	1	Gasket		
23	955271	2	Screw		
	875735	1	Repair kit		SEE GROUP 10A