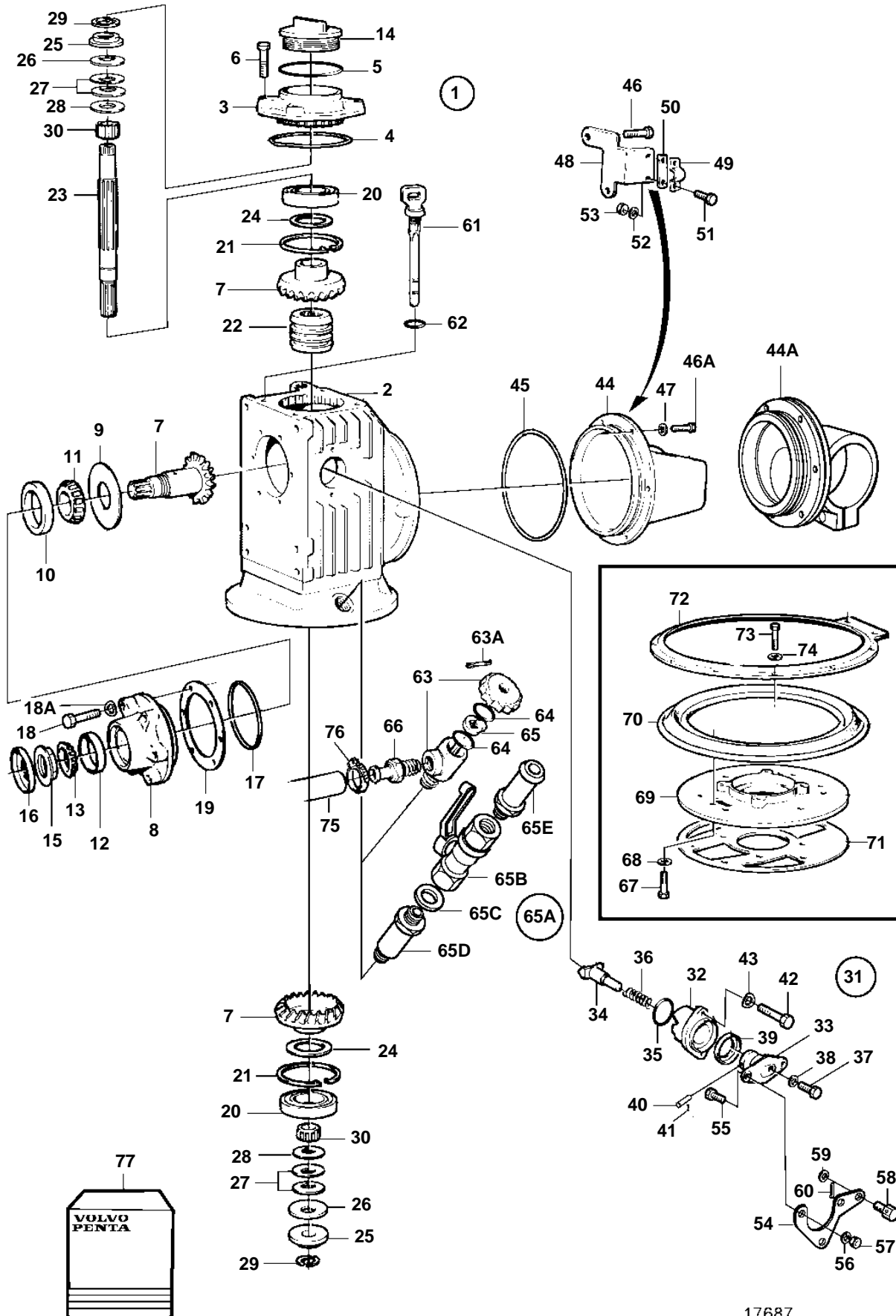


120S-E



17687

120S-E

REF	PART NO.	QTY	DESCRIPTION	NOTES
1	3856830	1	Upper gear unit	REPLACES 873104
2	3856831	1	• Gear housing	
3	873123	1	• Cover	
4	949962	1	• O-ring	Included in gasket kit.
5	1664473	1	• O-ring	Included in gasket kit.
6	946671	4	• Flange screw	
	946470	4	• Flange screw	FOR 3856830 L=35mm
7	873095	1	• Gear set	
8	872710	1	• Bearing box	
9	851621	1	• Guide disc	
10	181302	1	• Cup	
11	181301	1	• Inner ring	
12	183750	1	• Cup	
13	183752	1	• Inner ring	
14	851754	1	• Oil filler cap	
15	852485	1	• Lock nut	
16	873094	1	• Sealing ring	Included in gasket kit.
17	925093	1	• O-ring	Included in gasket kit.
18	940101	6	• Screw	
18A	941906	6	• Spring washer	
19	851622	X	• Shim	TH = 0,10mm
	851623	X	• Shim	TH = 0.15mm
	851624	X	• Shim	TH=0.35mm
20	851756	2	• Bearing	
21	852190	2	• Lock ring	
22	873098	1	• Sliding sleeve	FOR 873104 (851626)
23	873099	1	• Shaft	
24	852184	X	• Shim	TH=0,05mm
	84219	X	• Shim	TH = 0,10mm
	949776	X	• Shim	TH = 0.15mm
	84218	X	• Spacer	TH=0.35mm
25	852079	2	• Lock washer	
26	852213	2	• Disc spring	
27	852080	6	• Disc spring	
28	852311	2	• Washer	TH=0,40mm
	852317	2	• Washer	TH = 0,80mm
29	851629	4	• Lock ring half	
30	851757	2	• Needle bearing	
31	851661	1	• Shift mechanism	
32	851662	1	• • Bearing housing	
33	3856008	1	• • Eccentric piston	
34	851664	1	• • Dog	
35	949659	1	• • O-ring	(925065). Included in gasket kit.
36	814184	1	• • Spring	
37	897711	1	• • Screw	
38	897871	X	• • Shim	
39	853868	1	• • Sealing ring	(873291). Included in gasket kit.
40	942871	1	• • Pin	
41	973593	1	• • Pin	(951924)
42	965215	2	• Screw	(955296)
43	941907	2	• Spring washer	
44	873149	1	• Bracket	FOR 873104
44A	3857187	1	• Bracket	FOR 3856830
45	925262	1	• O-ring	Included in gasket kit.
46	945444	6	• Flange screw	FOR 873149
46A	946470	6	• Flange screw	FOR 3857187 L=35mm
47	955894	2	• Washer	
48	852074	1	• Cable attachment	FOR 873149
	852168	1	• Bracket	FOR 3857187
49	819067	1	• Brace	
50	819068	1	• Washer	
51	969407	2	• Screw	(955246)
52	940090	2	• Washer	

120S-E

REF	PART NO.	QTY	DESCRIPTION	NOTES
53	949874	2	• Lock nut	(946577)
54	852363	1	• Lever	
55	955270	2	• Screw	
56	955948	2	• Lock washer	
57	955781	2	• Nut	
58	833462	1	• Cube	
59	955892	1	• Washer	
60	17276	1	• Cotter pin	
61	873087	1	• Oil dipstick	
62	925055	1	• O-ring	
63	851777	1	• Tap	UP TO 120S-D
63A	949791	1	• • Cotter pin	UP TO 120S-D
64	955989	2	• • O-ring	UP TO 120S-D
65	851783	1	• • Lock washer	UP TO 120S-D
65A			• • Tap	FOR 3856830
65B	1140097	1	• Ball valve	FOR 3856830
65C	947626	1	• Gasket	FOR 3856830
65D	873173	1	• Nipple	FOR 3856830
65E	873317	1	• Nipple	FOR 3856830
66	873088	1	• Nipple	UP TO 120S-D
67	946541	3	• Screw	
68	941670	3	• Washer	
69	852719	1	• Intermediate section	
70		1	• Sealing strip	IK Included in mounting kit 854934.
71	3856834	1	Gasket	(853892). Included in mounting kit 854934.. Included in complete drive.
72	3586701	1	Tensioning ring	(873126). Included in complete drive.
73	946730	10	Screw	Included in complete drive.
74	941670	10	Washer	Included in complete drive.
75		X	Hose	UP TO 120S-D
				SEE GROUP 44
76		1	Hose clamp	UP TO 120S-D
				SEE GROUP 44
77	876391	1	Gasket kit	SEE GROUP 99
	3856597	1	Mounting kit	SEE GROUP 99 (854934)