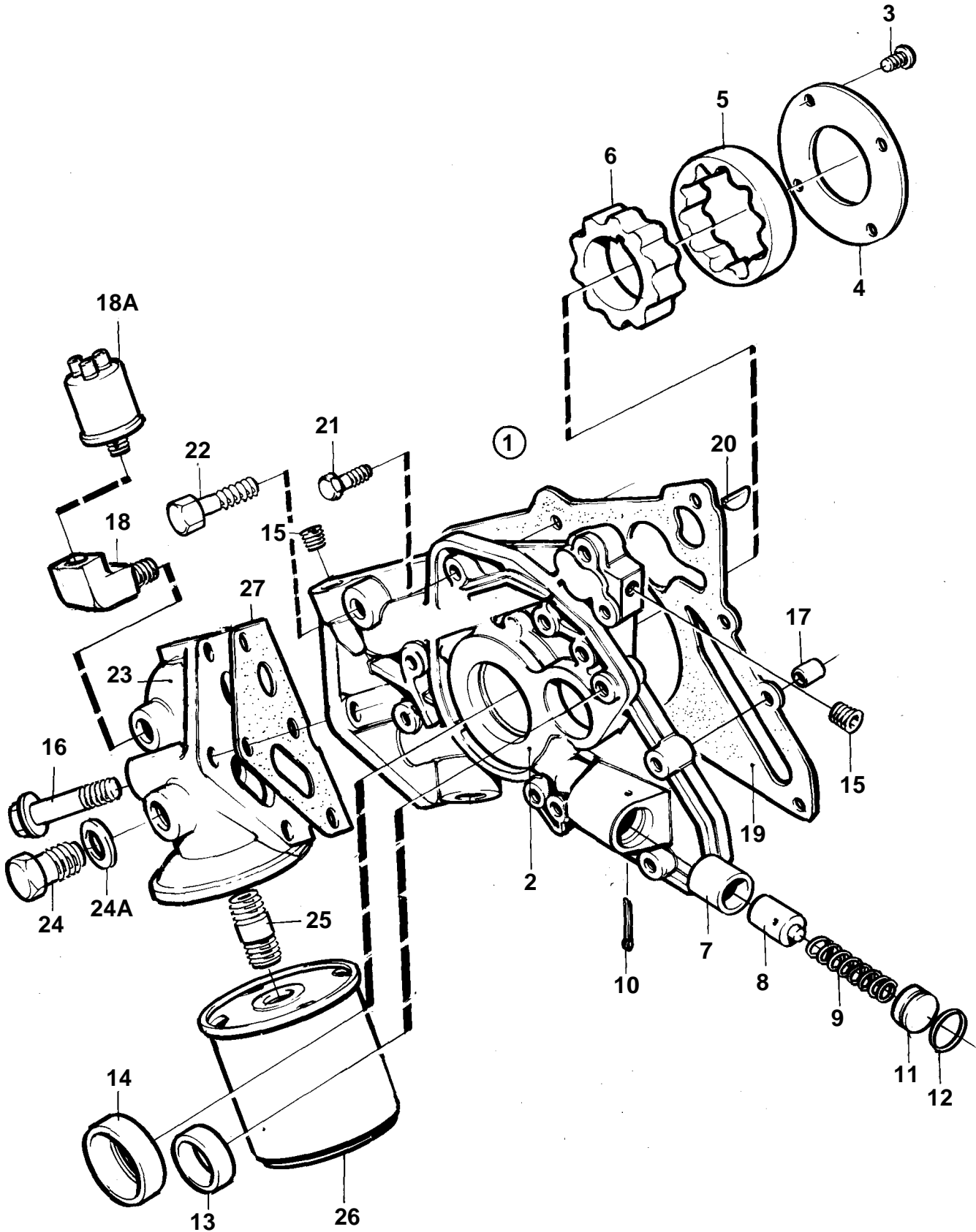


MD22L-B



16608

## MD22L-B

REF	PART NO.	QTY	DESCRIPTION	NOTES
1	860020	1	Oil pump	REPL BY 3581560
2		1	· Oil pump housing	
3	859674	4	· Screw	
4	859683	1	· Plate	
5		1	· Gearouter	
6		1	· Gearinner	
7		1	· Sleeve	
8	859679	1	· Piston	
9	859680	1	· Spring	
10	859681	1	· Cotter pin	
11	859682	1	· Plug	
12	859685	1	· O-ring	
13		1	· Plug	
14	859684	1	· Sealing ring	
15		2	· Plug	
16	965217	4	Flange screw	L=65mm
17	859636	2	Guide pin	
18	16218	1	Elbow nipple	
18A		1	Oil pressure sensor	SEE GROUP 30
19	859671	1	Gasket	
20	859686	1	Key	
21	859687	7	Screw	L=32mm
	859688	1	Screw	L=25mm
22	965185	1	Flange screw	
23	3580833	1	Oil filter housing	
24		1	Plug	
24A	957185	1	Gasket	
25	3580942	1	Nipple	
26	3517857	1	Oil filter	
27	859747	1	Gasket	