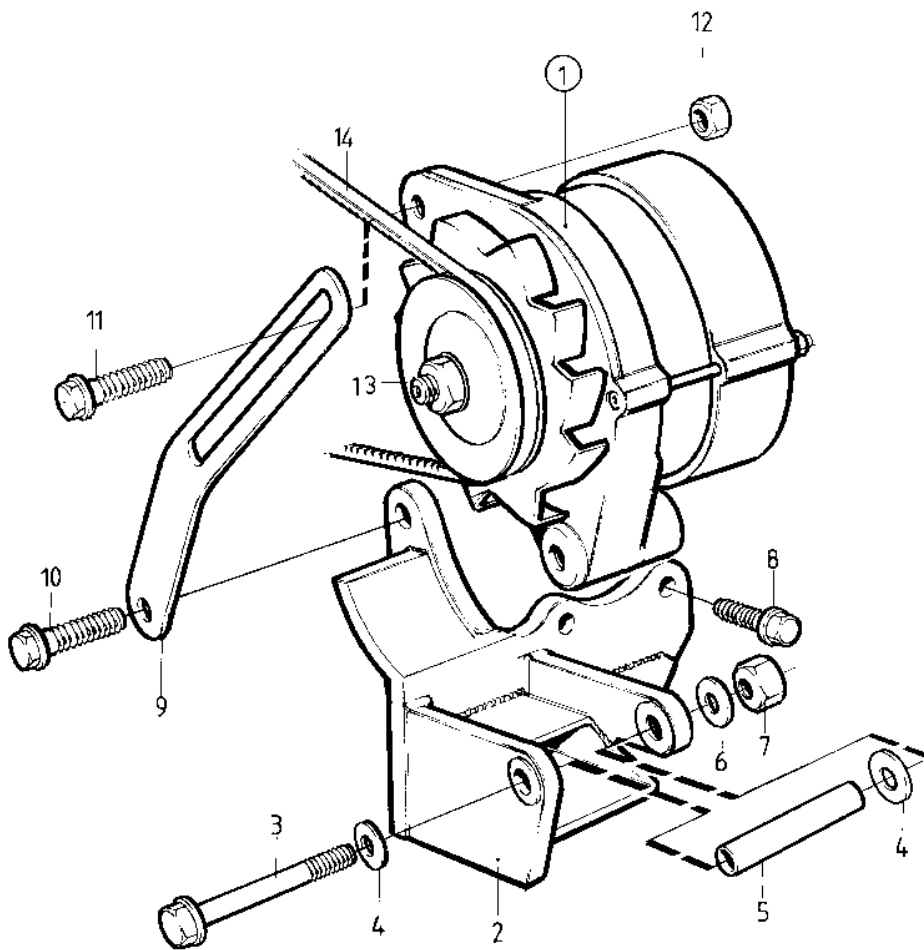


MD22P-B, TMD22-B, TMD22P-C, TAMD22P



9533

MD22P-B, TMD22-B, TMD22P-C, TAMD22P

REF	PART NO.	QTY	DESCRIPTION	SEE SEC.	NOTES
1	872235	1	Alternator		14V 60A, A13N234
	3803260	1	Alternator,exch		Exchange unit
				448	
2	860012	1	Bracket		
3	859818	1	Flange screw		
4	955896	2	Washer		
5	859819	1	Sleeve		
6	955896	1	Washer		
7	955849	1	Nut		
8	946472	3	Screw		
9	859820	1	Lever		
10	946173	1	Flange screw		
11	947760	1	Flange screw		
12	945408	1	Flange nut		
13	841811	1	Pulley		
14	966912	1	V-belt		