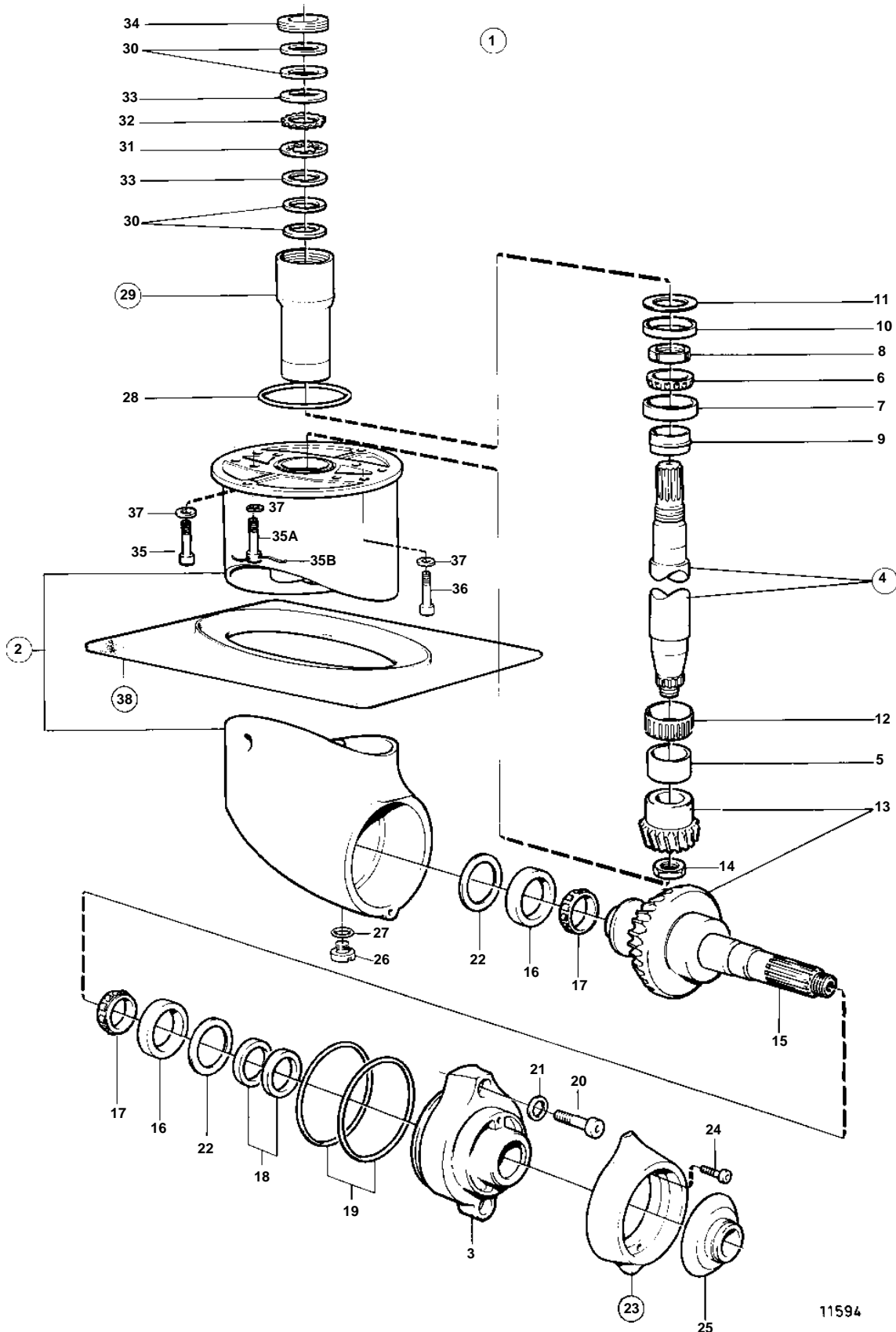


120S-E



11594

## 120S-E

REF	PART NO.	QTY	DESCRIPTION	NOTES
1	873107	1	Gear under	RATIO 2.2:1
2	873090	1	Gear housing	
3	873127	1	Bearing housing	
4	852484	1	Countershaft	
5		1	Ring	
6	183752	2	Inner ring	
7	183750	2	Cup	
8	852485	1	Lock nut	
9	851974	1	Collet	
10	852162	1	Spacer sleeve	
11	948298	X	Shim	TH = 0,10mm
	948299	X	Shim	TH = 0.15mm
	948300	X	Shim	TH=0.35mm
	948303	X	Shim	TH = 1,00mm
12	852508	1	Needle bearing	
13	851649	1	Gear set	
14	850981	1	Nut	
15	851652	1	Driveshaft	
16	181587	2	Ring	
17	181588	2	Ring	
18	873108	2	Sealing ring	Included in gasket kit.
19	925256	2	O-ring	
20	946541	2	Screw	
21	897871	2	Shim	TH=0,20mm
22	851980	X	Shim	TH = 0,10mm
	851981	X	Shim	TH = 0.15mm
	851982	X	Shim	TH=0.35mm
	949074	X	Shim	TH = 0,50mm
23	876286	1	Zinc ring kit	
24	949823	2	Screw	
25	851984	1	Line cutter	
26	852904	1	Magnetic plug	
27	955974	1	· O-ring	
28	925256	1	O-ring	Included in mounting kit 854934.. Included in complete drive.
29	852724	1	Splined sleeve	
30		1	· Spring	
31		18	Disc	
32		17	Disc	
33		2	Thrust washer	
34		1	Adjuster screw	
35	963699	4	Screw	L=40mm. Included in complete drive.
35A	851860	4	Lock screw	L=40mm. Included in complete drive.
35B	852669	X	Locking wire	L=700mm. Included in complete drive.
36	963703	2	Screw	L=60mm. Included in complete drive.
37	897511	10	Washer	
38	854932	1	Mounting kit	