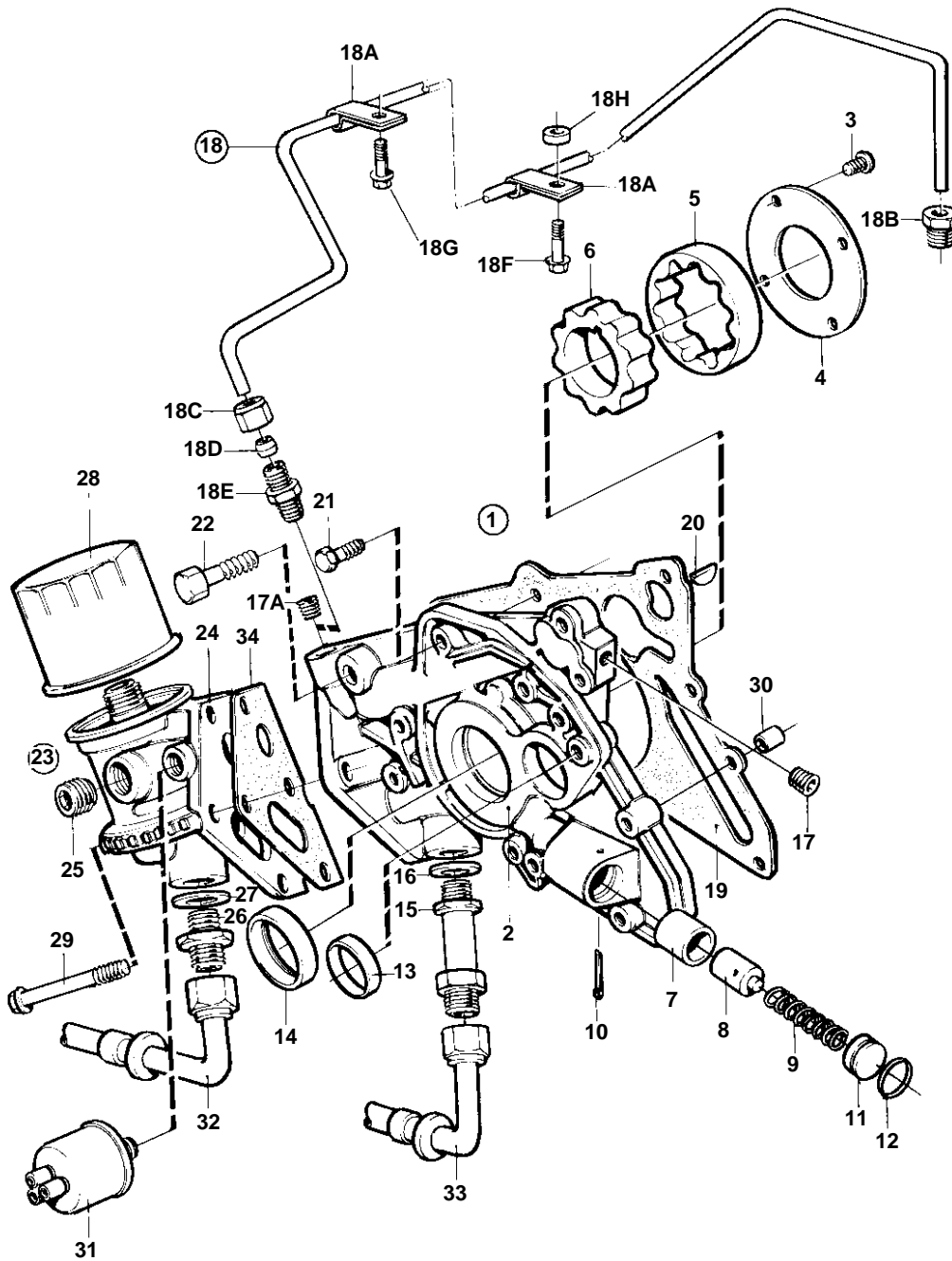


MD22A, TMD22A



11514

MD22A, TMD22A

REF	PART NO.	QTY	DESCRIPTION	NOTES
1	859672	1	Oil pump	
2		1	· Housing	
3	859674	4	· Screw	
4	859683	1	· Plate	
5		1	· Gearouter	
6		1	· Gearinner	
7		1	· Sleeve	
8	859679	1	· Piston	
9	859680	1	· Spring	
10	859681	1	· Cotter pin	
11	859682	1	· Plug	
12	859685	1	· O-ring	
13		1	· Plug	
14	859684	1	· Sealing ring	
15	859675	1	· Fitting	
16	6613687	1	· Washer	
17		1	· Plug	
17A		1	· Plug	MD22A
18	861400	1	Tube	TMD22A. Oil pump-turbocharger.
18A		3	· Clamp	TMD22A
18B		1	· Nipple	TMD22A
18C		1	· Nut	TMD22A
18D		1	· Fitting	TMD22A
18E	861399	1	Connector	TMD22A
18F	11998055	1	Screw	TMD22A
18G	946173	2	Flange screw	TMD22A
18H		1	Spacer sleeve	TMD22A
19	859671	1	Gasket	
20	859686	1	Key	
21	859687	7	Screw	L=32mm
	859688	1	Screw	L=25mm
22	965185	1	Flange screw	
23	859863	1	Oil filter housing	
24	859748	1	· Oil filter housing	REPL BY 859863
25		1	· Plug	
26	859750	1	· Connector	
27	6613687	1	· Washer	
28	861476	1	Oil filter	(859746)
29	945444	1	Flange screw	L=25mm
	965184	3	Screw	L=100mm
30	859636	2	Guide pin	
31		1	Oil pressure sensor	SE GROUP 30
32	859753	1	Tube	Oil cooler-oil filter housing
33	859752	1	Tube	Oil pump-oil cooler.
34	859747	1	Gasket	