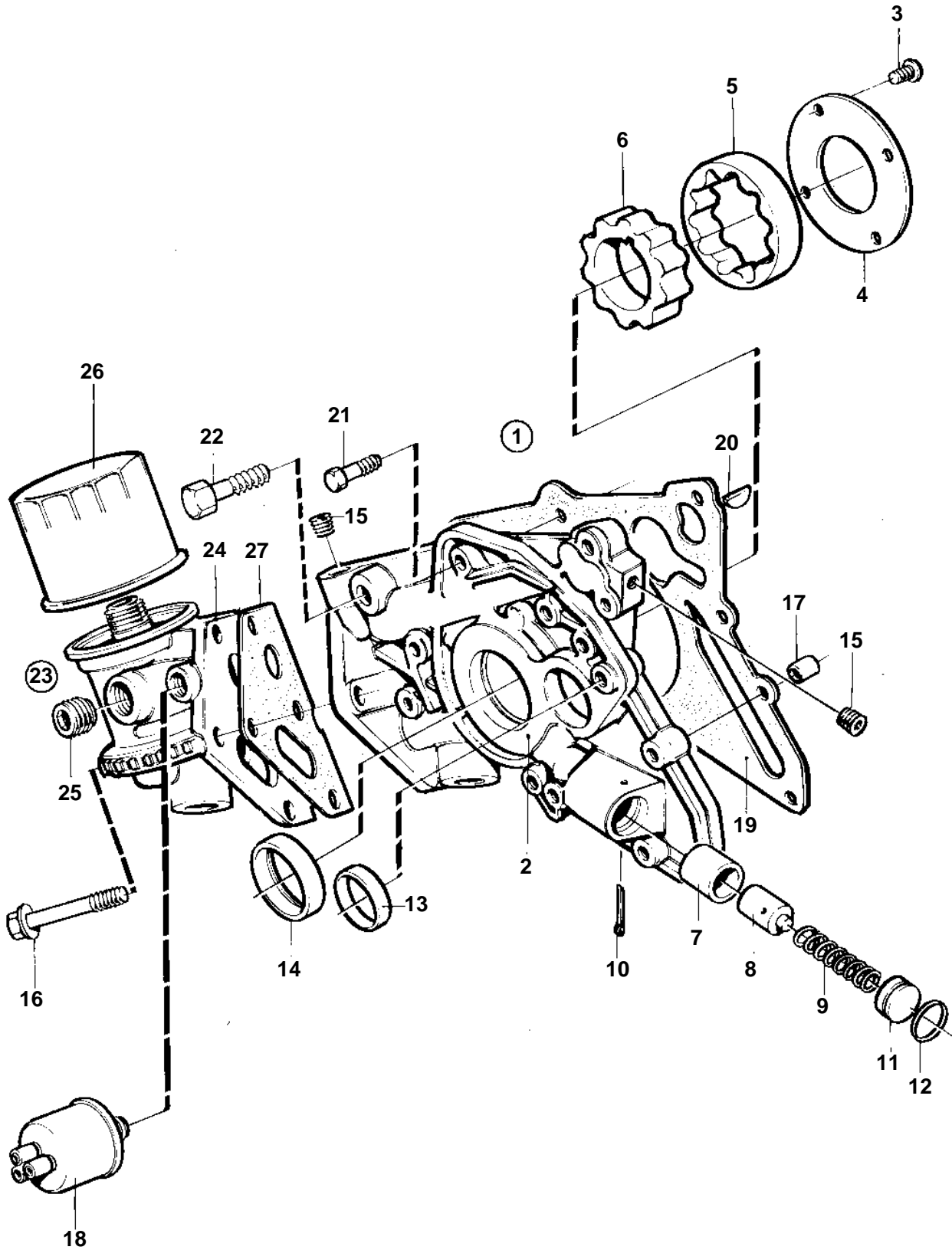


MD22L-A



16347

## MD22L-A

REF	PART NO.	QTY	DESCRIPTION		NOTES
1	860020	1	Oil pump		
2		1	· Oil pump housing		
3	859674	4	· Screw		
4	859683	1	· Plate		
5		1	· Gearouter		
6		1	· Gearinner		
7		1	· Sleeve		
8	859679	1	· Piston		
9	859680	1	· Spring		
10	859681	1	· Cotter pin		
11	859682	1	· Plug		
12	859685	1	· O-ring		
13		1	· Plug		
14	859684	1	· Sealing ring		
15		2	· Plug		
16	945444	1	Flange screw		L=25mm
	965184	3	Screw		L=100mm
17	859636	2	Guide pin	SO	
18		1	Oil pressure sensor		SE GROUP 30
19	859671	1	Gasket		
20	859686	1	Key		
21	859687	7	Screw		L=32mm
	859688	1	Screw		L=25mm
22	965185	1	Flange screw		
23	861239	1	Oil filter housing		
24		1	· Oil filter housing		
25		1	· Plug		
26	861476	1	Oil filter		(859746)
27	859747	1	Gasket		