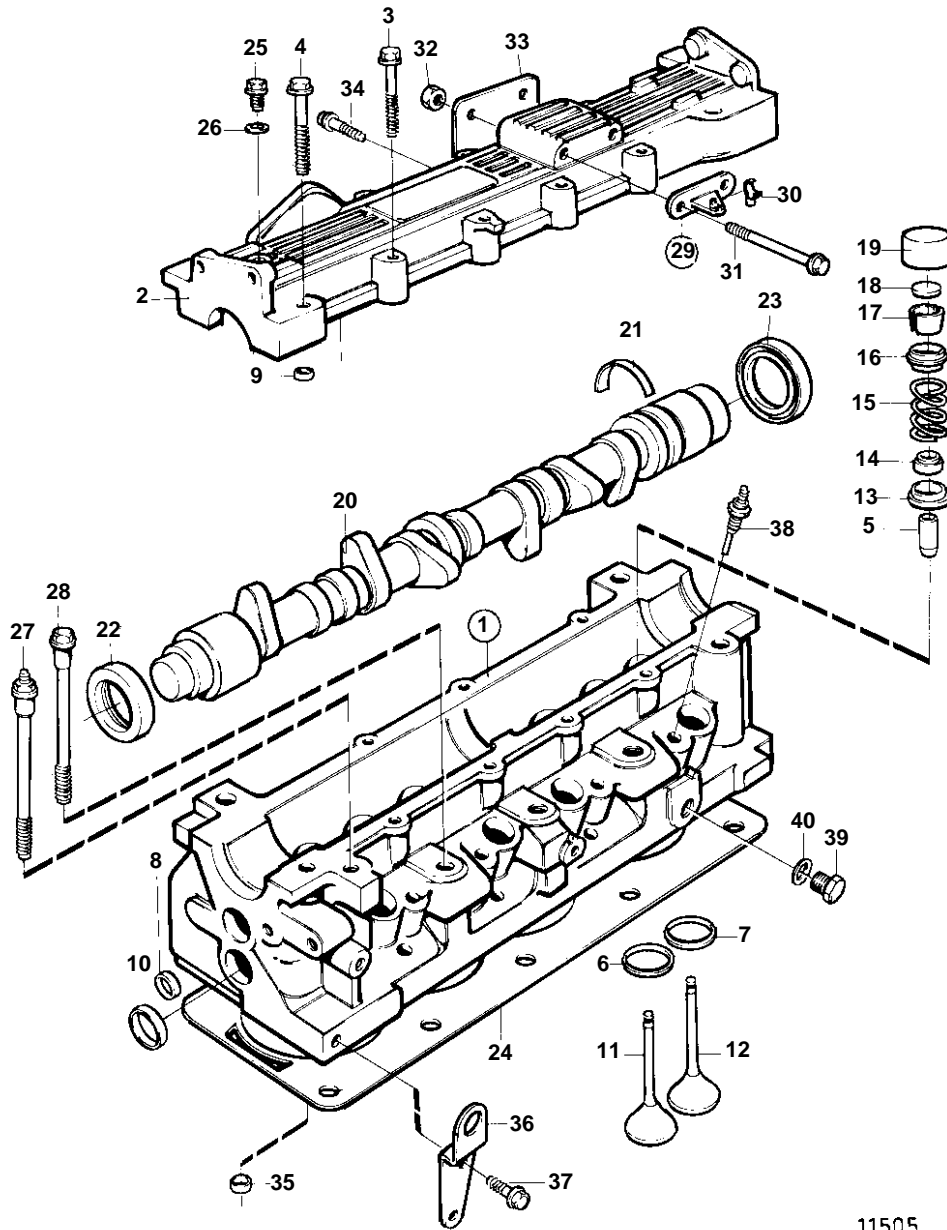


COMMON



11505

COMMON

REF	PART NO.	QTY	DESCRIPTION	NOTES
1	859648	1	Cylinder head	
2		1	· Cover	
3	948217	7	· Flange screw	
4	965179	4	· Flange screw	
5	859871	8	· Valve guide	
6	859874	4	· Valve seat, intake	
7	859875	4	· Valve seat, exhaust	
8	859877	2	· Plug	
9	859878	2	· Guide pin	
10	859876	4	· Plug	
11	859650	4	Inlet valve	
12	859656	4	Exhaust valve	
13	859653	8	Washer	
14	859651	8	Valve seal	
15	860016	8	Valve spring	MD22L-A
	859652	8	Valve spring	MD22A, TMD22A
16	859654	8	Spring disc	
17	859655	16	Lock	
18	859935	X	Shim	TH=2,29mm
	859934	X	Shim	TH=2,31mm
	859933	X	Shim	TH=2,34mm
	859932	X	Shim	TH=2,36mm
	859931	X	Shim	TH=2,39mm
	859930	X	Shim	TH=2,42mm
	859929	X	Shim	TH=2,44mm
	859928	X	Shim	TH=2,46mm
	859927	X	Shim	TH=2,49mm
	859926	X	Shim	TH=2,52mm
	859925	X	Shim	TH=2,54mm
	859924	X	Shim	TH=2,56mm
	859923	X	Shim	TH=2,59mm
	859922	X	Shim	TH=2,62mm
	859921	X	Shim	TH=2,64mm
	859920	X	Shim	TH=2,68mm
	859919	X	Shim	TH=2,69mm
	859918	X	Shim	TH=2,72mm
	859917	X	Shim	TH=2,74mm
	859916	X	Shim	TH=2,77mm
	859915	X	Shim	TH=2,79mm
	859914	X	Shim	TH=2,82mm
	859913	X	Shim	TH=2,84mm
	859912	X	Shim	TH=2,87mm
	859911	X	Shim	TH=2,90mm
	859910	X	Shim	TH=2,92mm
	859909	X	Shim	TH=2,95mm
	859908	X	Shim	TH=2,97mm
	859907	X	Shim	TH=3,00mm
	859906	X	Shim	TH=3,02mm
	859905	X	Shim	TH=3,05mm
	859904	X	Shim	TH=3,07mm
	859903	X	Shim	TH=3,10mm
	859902	X	Shim	TH=3,12mm
	859901	X	Shim	TH=3,15mm
	859900	X	Shim	TH=3,18mm
	859899	X	Shim	TH=3,20mm
	859885	X	Shim	TH=3,23mm
	859884	X	Shim	TH=3,25mm
	859883	X	Shim	TH=3,28mm
	859882	X	Shim	TH=3,30mm
	859881	X	Shim	TH=3,32mm
	859880	X	Shim	TH=3,34mm
	859879	X	Shim	TH=3,38mm
	859662	X	Shim	TH=3,40mm

COMMON

REF	PART NO.	QTY	DESCRIPTION	NOTES
19	859661	8	Lifter	MD22L-A (860018)
	859661	8	Lifter	MD22A, TMD22A
20	860017	1	Camshaft	MD22L-A
	859657	1	Camshaft	MD22A, TMD22A
21	859658	1	Guide	
22	859659	1	Sealing ring	
23	859660	1	Sealing ring	
24	859647	1	Gasket	
25	946025	1	Screw	
26	120168	1	Washer	
27	859663	4	Screw	
28	859664	6	Screw	
29	859848	1	Bracket	
30		1	· Clip	
31	965181	2	Screw	
32	945408	2	Flange nut	
33		1	Plate	
34	946440	2	Flange screw	
35	859635	2	Guide pin	
36		1	Lifting eyefront	
		1	Lifting eyerear	
37	859857	5	Flange screw	
38		4	Glow plug	SE GROUP 30
39	859689	1	Plug	SO
40	969011	1	Gasket	