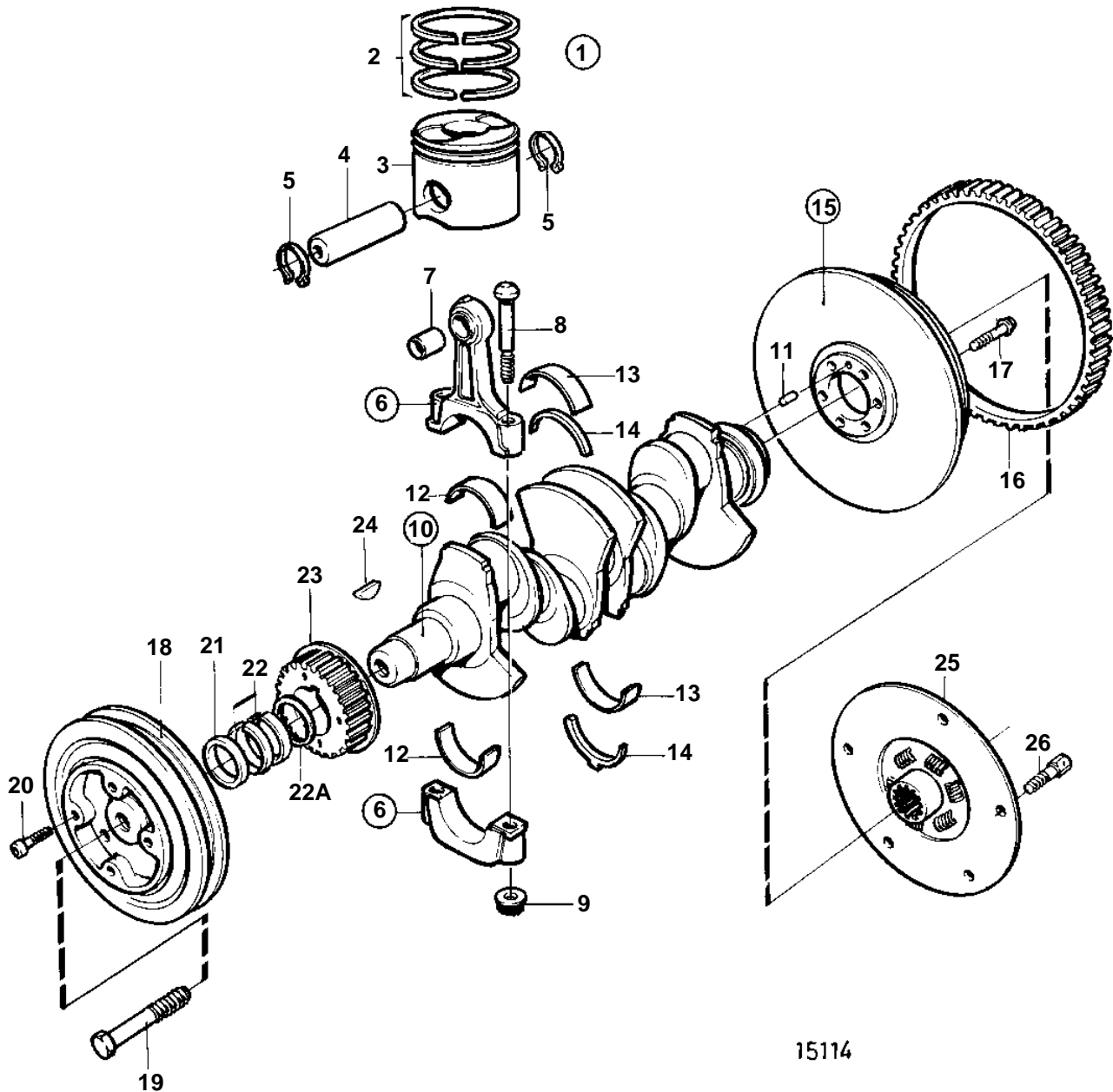


COMMON



15114

COMMON

REF	PART NO.	QTY	DESCRIPTION	NOTES
1	861362	4	Piston kit	STD D. For piston marked 1, 2 or 3.
1	861363	4	Piston kit	STD D. For piston marked 4, 5 or 6.
1	861364	4	Piston kit	O.D=0,50mm. For piston marked 1, 2 or 3.
1	861365	4	Piston kit	O.D=0,50mm. For piston marked 4, 5 or 6.
2	859642	4	· Piston ring kit	STD D
	859944	4	· Piston ring kit	O.D=0,50mm
3		4	· Piston	
4		4	· Piston pin	
5	859948	8	· Lock ring	
6	876675	1	Connecting rod kit	(859643). The kit includes 4 connecting rods.
7	859646	4	· Bushing	
8	859644	8	· Screw	
9	859645	8	· Nut	
10	859637	1	Crankshaft	
11	859639	1	· Guide pin	
12	859807	1	Big end bearing kit	STD D
	859949	1	Big end bearing kit	U.S=0,30mm
13	859791	1	Main bearing kit	STD D
	859945	1	Main bearing kit	U.S=0,30mm
14	859640	1	Thrust washer kit	
15	861579	1	Flywheel	
16	859720	1	· Gear ring	
17	859721	6	Flange screw	
18	859761	1	Pulley	SN-5100598713
	861590	1	Pulley	SN5100598714-
19	859762	1	Screw	SN-5100598713
	861591	1	Screw	SN5100598714-
20	859763	4	Screw	
21	859764	1	Spacer	SN-5100598713
	861592	1	Spacer	SN5100598714-
22	859765	1	Lock	SN-5100598713
	861593	1	Lock	SN5100598714-
23	860019	1	Gear pulley	SN-5100598713
	861589	1	Gear pulley	SN5100598714-
24	859665	1	Key	
25	854345	1	Vibration damper	(861579)
26	859710	5	Shoulder screw	
22A	861452	1	Washer	SN5100598714-