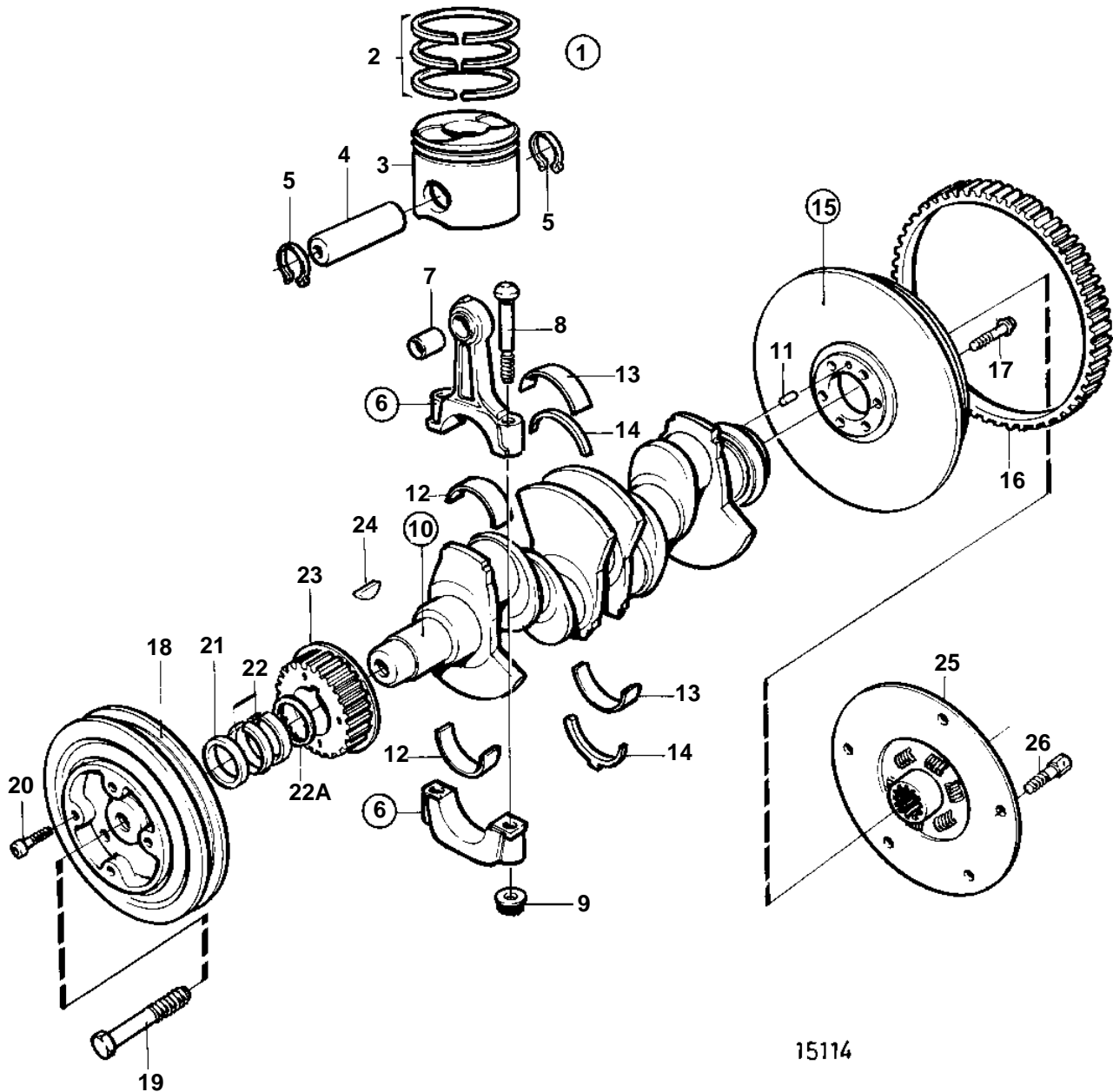


COMMON



15114

COMMON

REF	PART NO.	QTY	DESCRIPTION	SEE SEC.	NOTES
1	859813	4	Piston kit Bulletin 43-10	43-10-EN	STD D REPL BY 861045. For piston marked 1, 2 or 3. Piston
1	861045	4	Piston kit Bulletin 43-10	43-10-EN	STD D Piston
1	859786	4	Piston kit		STD D REPL BY 861586. For piston marked 4, 5 or 6.
	861585	4	Piston kit		STD D
1	859942	4	Piston kit		O.S 0.50mm REPL BY 861585. For piston marked 1, 2 or 3.
	861586	4	Piston kit		O.D=0,50mm
1	859943	4	Piston kit		O.S 0.50mm REPL BY 861587. For piston marked 4, 5 or 6.
	861587	4	Piston kit		O.D=0,50mm
2	859642	4	· Piston ring kit		STD D
	859944	4	· Piston ring kit		O.D=0,50mm
3		4	· Piston		
4		4	· Piston pin		
5	859948	8	· Lock ring		
6	876675	1	Connecting rod kit		(859643). The kit includes 4 connecting rods.
7	859646	4	· Bushing		
8	859644	8	· Screw		
9	859645	8	· Nut		
10	859637	1	Crankshaft		
11	859639	1	· Guide pin		
12	859807	1	Big end bearing kit		STD D
	859949	1	Big end bearing kit		U.S=0,30mm
13	859791	1	Main bearing kit		STD D
	859945	1	Main bearing kit		U.S=0,30mm
14	859640	1	Thrust washer kit		
15	861579	1	Flywheel		
16	859720	1	· Gear ring		
17	859721	6	Flange screw		
18	859761	1	Pulley		SN-5100598713
	861590	1	Pulley		SN5100598714-
19	859762	1	Screw		SN-5100598713
	861591	1	Screw		SN5100598714-
20	859763	4	Screw		
21	859764	1	Spacer		SN-5100598713
	861592	1	Spacer		SN5100598714-
22	859765	1	Lock		SN-5100598713
	861593	1	Lock		SN5100598714-
23	860019	1	Gear pulley		SN-5100598713
	861589	1	Gear pulley		SN5100598714-
24	859665	1	Key		
25	854345	1	Vibration damper		(861579)
26	859710	5	Shoulder screw		
22A	861452	1	Washer		SN5100598714-