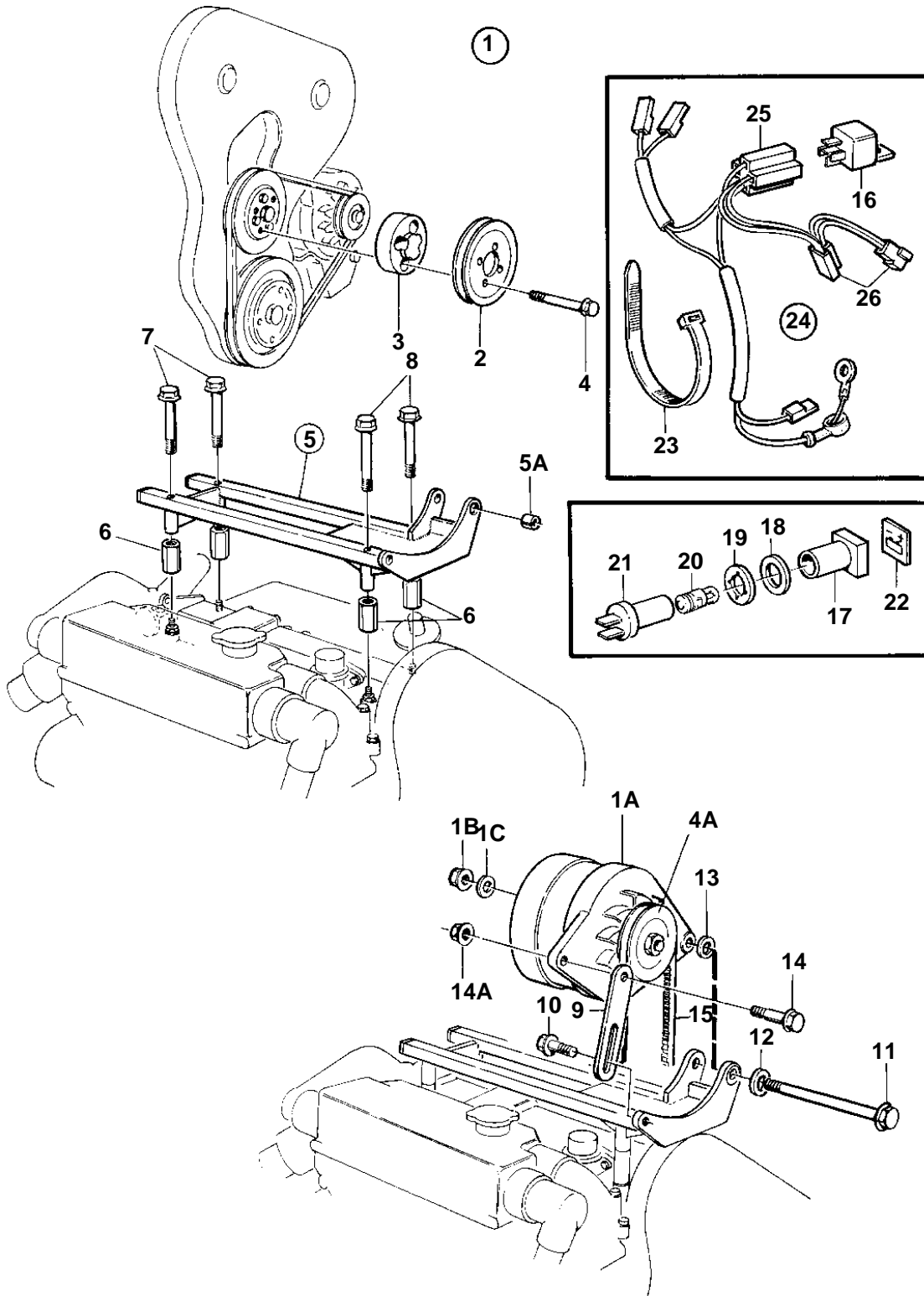


COMMON



11412

COMMON

REF	PART NO.	QTY	DESCRIPTION	SEE SEC.	NOTES
1		1	Alternator kit		
1A	858838	1	• Alternator		REPL BY 872018, A13N147M
	872018	1	• Alternator	321	REPL BY 872926, A13N147M
	872926	1	• Alternator	322	A13N259
				1029	
1B	955780	1	• Nut		M5
	955781	1	• Nut		M6
1C	941905	1	• Spring washer		FOR 955780
	941906	1	• Spring washer		FOR 955781
2	859779	1	• Pulley		
3	860423	1	• Spacer		
4	965212	4	• Screw		
4A	841811	1	• Pulley		
5	860444	1	• Bracket		
5A	831920	1	• Bushing		
6	860424	4	• Nut		
7	947790	2	• Flange screw		
8	965188	2	• Screw		
9	809307	1	• Tensioner		
10	946173	1	• Flange screw		
11	955700	1	• Screw		
12	960144	1	• Washer		12x30x3
13	843054	1	• Washer		11,2x24x4,2
14	947760	1	• Flange screw		
14A	945408	1	• Flange nut		
15	966382	1	• V-belt		HC38x1100x1
16	872300	1	• Relay		(853545) 12V, 30A
17	838455	1	• Retainer		
18	829714	1	• Seal		
19	967583	1	• Retainer		
20	19923	1	• Bulb		
21	808175	1	• Bulb socket		
22	838457	1	• Symbol strip		
23	948211	10	• Strip clamp		
24	838542	1	• Cable trunk		
25	1214948	1	• • Receptacle housing		
	881485	4	• • Cable terminal		
26		X	• • Electrical materials	1963	