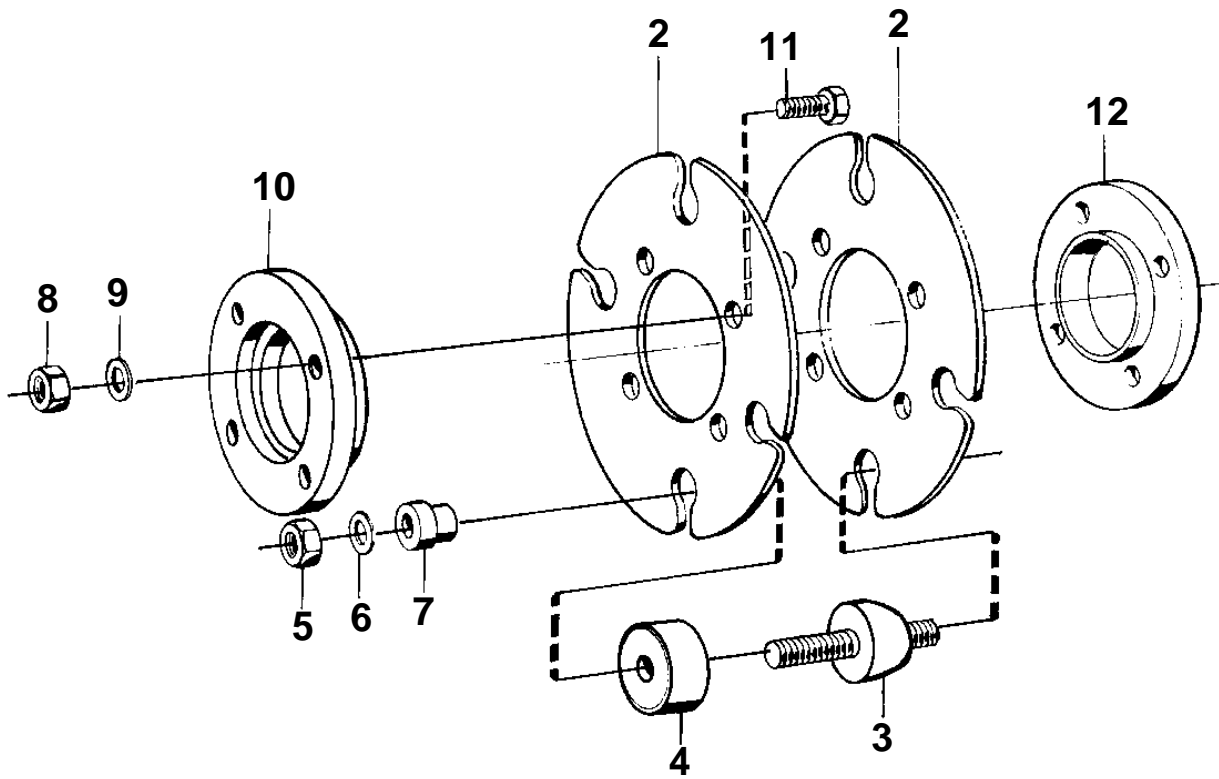


MD2010B, MD2020B, MD2030B, MD2040B

1



3946

MD2010B, MD2020B, MD2030B, MD2040B

REF	PART NO.	QTY	DESCRIPTION	NOTES
1	833626	1	Clutch	
2	803125	2	· Friction disc	
3	803762	4	· Rubber cushion	
4	803748	4	· Protecting casing	
5	955850	8	· Nut	
6	940280	8	· Spring washer	
7	802976	8	· Washer	
8	955783	4	· Nut	
9	941908	4	· Spring washer	
10	827935	1	· Guide ring	
11	970947	4	· Screw	L=25mm
	970949	4	· Screw	L=35mm (955319)
12	803029	1	· Guide ring	