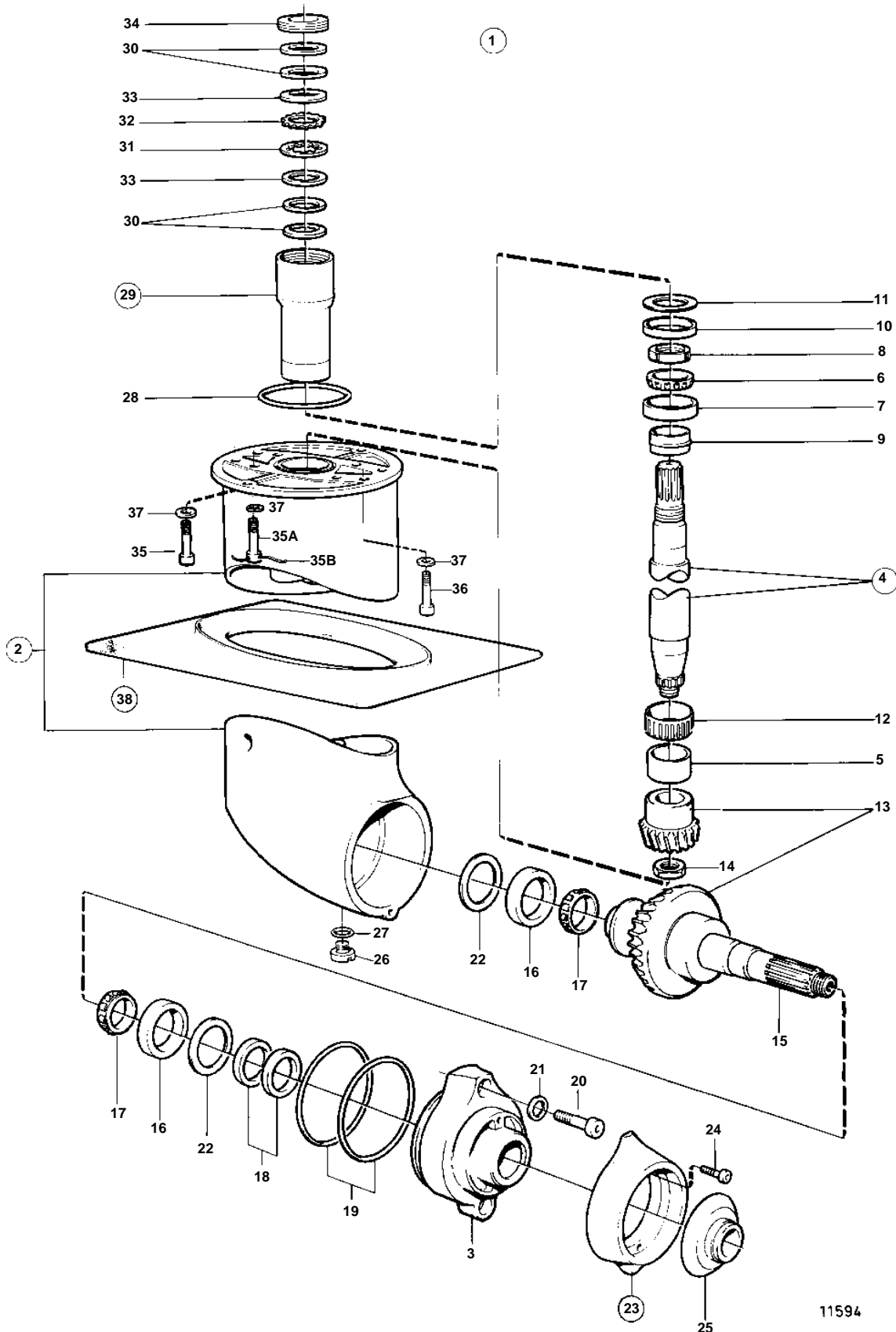


120S-D



11594

120S-D

REF	PART NO.	QTY	DESCRIPTION	NOTES
1	3856832	1	Gear under	RATIO 2.5:1 (873089) (873090)
2	3856833	1	• Gear housing	
3	873127	1	• • Bearing housing	
4	852484	1	• Countershaft	
5		1	• • Ring	NS
6	183752	2	• Inner ring	
7	183750	2	• Cup	
8	852485	1	• Lock nut	
9	851974	1	• Collet	
10	852162	1	• Spacer sleeve	
11	948298	X	• Shim	TH = 0,10mm
	948299	X	• Shim	TH = 0.15mm
	948300	X	• Shim	TH=0.35mm
	948303	X	• Shim	TH = 1,00mm
12	852508	1	• Needle bearing	
13	873061	1	• Gear set	
14	850981	1	• Nut	
15	851652	1	• Driveshaft	
16	181587	2	• Ring	
17	181588	2	• Ring	
18	873108	2	• Sealing ring	
19	925256	2	• O-ring	
20	946541	2	• Screw	
21	897871	2	• Shim	
22	851980	X	• Shim	TH = 0,10mm
	851981	X	• Shim	TH = 0.15mm
	851982	X	• Shim	TH=0.35mm
	949074	X	• Shim	TH = 0,50mm
23	876286	1	• Zinc ring kit	
24	949823	2	• Screw	
25	851984	1	• Line cutter	
26	852904	1	• Magnetic plug	
27	955974	1	• O-ring	
28	925256	1	O-ring	Included in mounting kit 854934.. Included in complete drive.
29	852724	1	Splined sleeve	Included in complete drive.
30		4	• Spring	
31		18	• Disc	
32		17	• Disc	
33		2	• Thrust washer	
34		1	• Adjuster screw	
35	963699	4	Screw	L=40mm. Included in complete drive.
35A	851860	4	Lock screw	L=40mm
35B	852669	X	Locking wire	L=700mm
36	963703	2	Screw	L=60mm. Included in complete drive.
37	897511	10	Washer	Included in complete drive.
38	854932	1	Mounting kit	Included in complete drive.