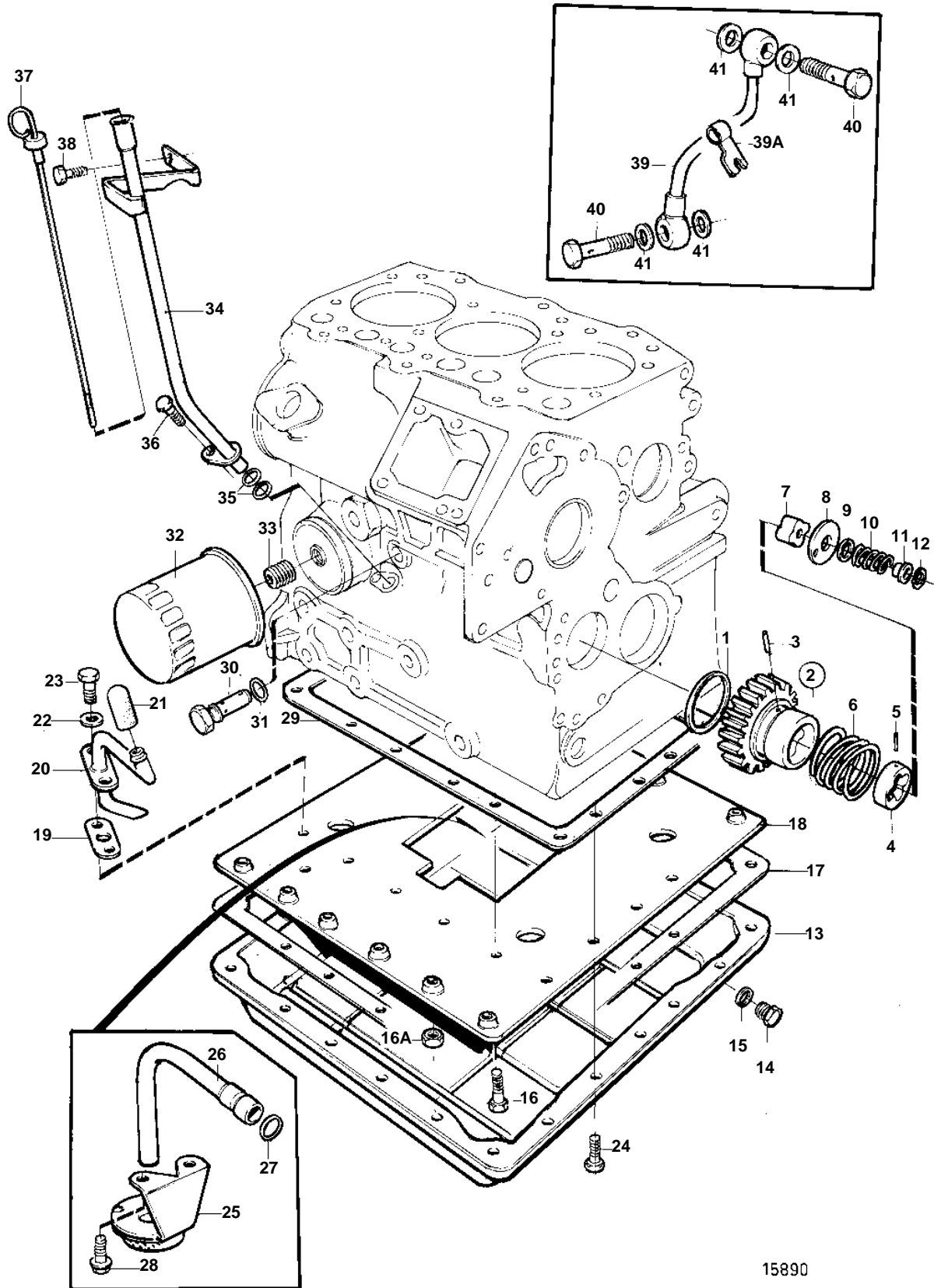


MD2040B



MD2040B

| REF | PART NO. | QTY | DESCRIPTION | NOTES |
|-----|----------|-----|----------------|-------------|
| 1 | 861986 | 1 | Thrust washer | |
| 2 | 3580569 | 1 | Gear | |
| 3 | | 1 | · Pin | |
| 4 | | 1 | · Rotorouter | |
| 5 | | 1 | · Pin | |
| 6 | 861988 | 1 | · Spring | |
| 7 | 3580570 | 1 | Rotor | |
| 8 | 861527 | 1 | Cover | |
| 9 | 861528 | X | Shim | TH = 0,10mm |
| | 861529 | X | Shim | TH = 0.15mm |
| | 861530 | X | Shim | TH=0,20mm |
| | 861531 | X | Shim | TH = 0,50mm |
| 10 | 861532 | 1 | Spring | |
| 11 | 861533 | 1 | Sleeve | |
| 12 | 861534 | 1 | Lock ring | |
| 13 | 3580467 | 1 | Oil pan | |
| 14 | 861834 | 1 | Plug | |
| 15 | 861835 | 1 | Gasket | |
| 16 | 967949 | 8 | Screw | |
| 16A | 945407 | 4 | Flange nut | |
| 17 | 3580468 | 1 | Gasket | |
| 18 | 3580469 | 1 | Plate | |
| 19 | 861838 | 1 | Gasket | |
| 20 | 3580470 | 1 | Tube | |
| 21 | 1276516 | 1 | Plug | |
| 22 | 11991 | 2 | Seal | |
| 23 | 945414 | 2 | Screw | |
| 24 | 945414 | 30 | Screw | |
| 25 | 861999 | 1 | Strainer | |
| 26 | 3580573 | 1 | Tube | |
| 27 | 861997 | 1 | O-ring | |
| 28 | 861526 | 2 | Screw | |
| 29 | 3580462 | 1 | Gasket | |
| 30 | 861829 | 1 | Reducing valve | |
| 31 | 861830 | 1 | O-ring | |
| 32 | 3581621 | 1 | Oil filter | (861475) |
| 33 | 861825 | 1 | Nipple | |
| 34 | 3580474 | 1 | Tube | |
| 35 | 861851 | 2 | O-ring | |
| 36 | 967949 | 1 | Screw | |
| 37 | 3581557 | 1 | Oil dipstick | (3580298) |
| 38 | 861854 | 1 | Screw | |
| 39 | 3580494 | 1 | Oil pipe | |
| 39A | | 1 | · Clamp | |
| 40 | 861872 | 2 | Hollow screw | |
| 41 | 11992 | 4 | Gasket | |