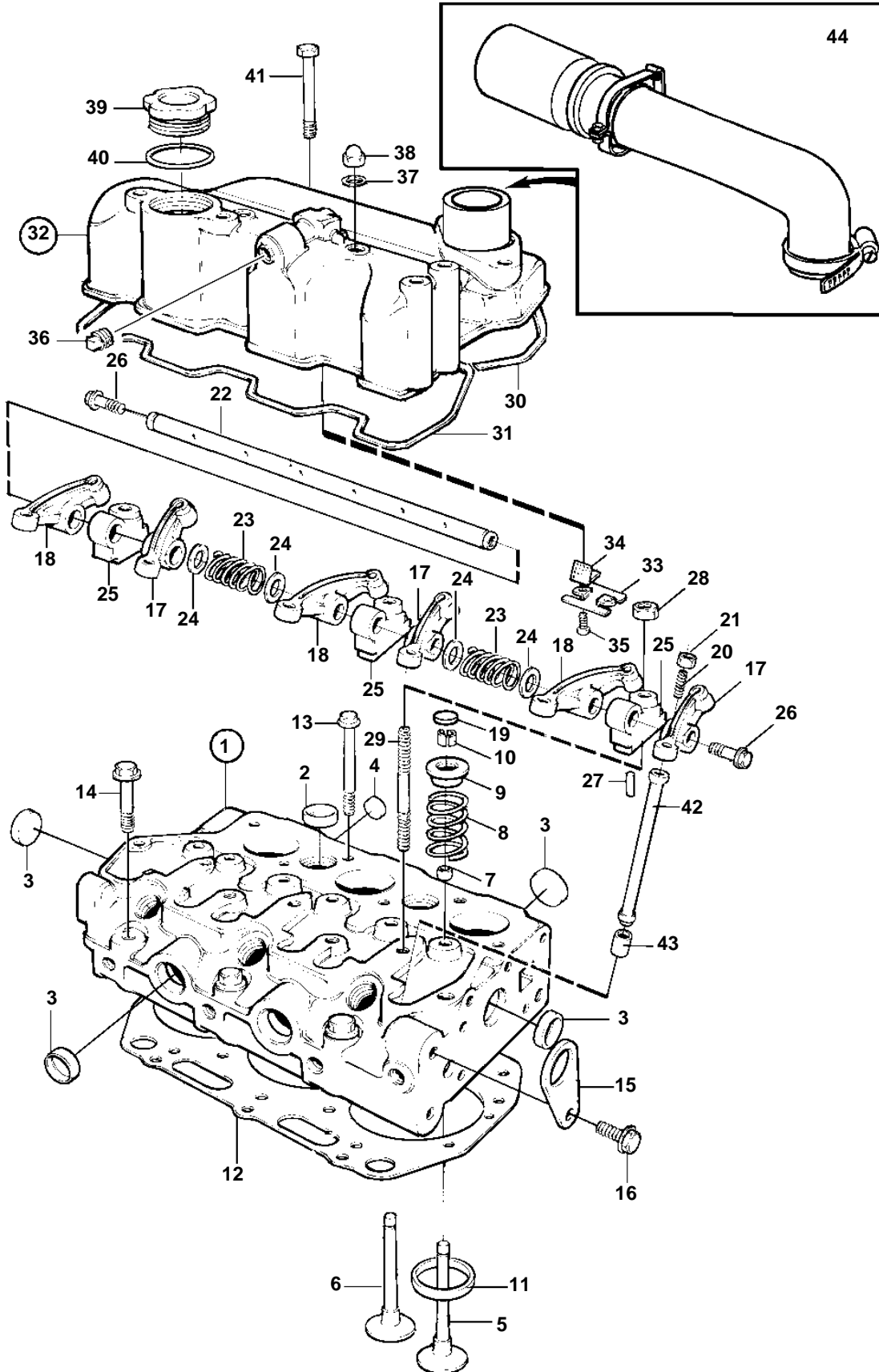


MD2020B



16812

MD2020B

REF	PART NO.	QTY	DESCRIPTION	SEE SEC.	NOTES
1	3580233	1	Cylinder head		
2	861802	2	· Plug		
3	861857	6	· Plug		
4	861804	4	· Plug		
5	861858	3	· Inlet valve		
6	861859	3	· Exhaust valve		
7	861860	6	· Valve stem seal		
8	861861	6	· Valve spring		
9	861862	6	· Valve spring washer		
10	861863	12	· Valve cone		
11	861864	3	· Valve seat		
12	3580234	1	Gasket		TH=0,5mm
13	861866	11	Flange screw		
14	861867	3	Screw		
15		1	Lifting eye		
16	861870	1	Screw		
17	861875	3	Rocker arm		Replaced by 1 ea rocker arm, 3581291 and 1 ea valve cap, 3581293.
	3581291	3	Rocker arm		
18	861876	3	Rocker arm		Replaced by 1 ea rocker arm, 3581292 and 1 ea valve cap, 3581293.
	3581292	3	Rocker arm		
19	3581293	6	Valve cap		
20	861877	6	Adjuster screw		
21	861878	6	Nut		
22	3580237	1	Rocker arm shaft		
23	861881	2	Spring		
24	861883	4	Shim		
25	861879	3	Bracket		
26	861886	2	Plug		
27	861882	1	Tensioning din		
28	948645	3	Lock nut		
29	861885	3	Stud		
30	3580238	1	Gasket		
31	3580239	1	Gasket		
32	3580955	1	Valve cover		
33		1	· Retainer		
34	3580320	1	· Filter		
35	3580321	2	· Screw		
36		1	· Plug		
37	11992	3	Gasket		(861868)
38	3580241	3	Nut		
39	861896	1	Oil filler cap		
40	861897	1	O-ring		
41	3580243	2	Screw		
42	861828	6	Push rod		
43	3580464	6	Lifter		(861827)
44		1	Air inlet	3109	