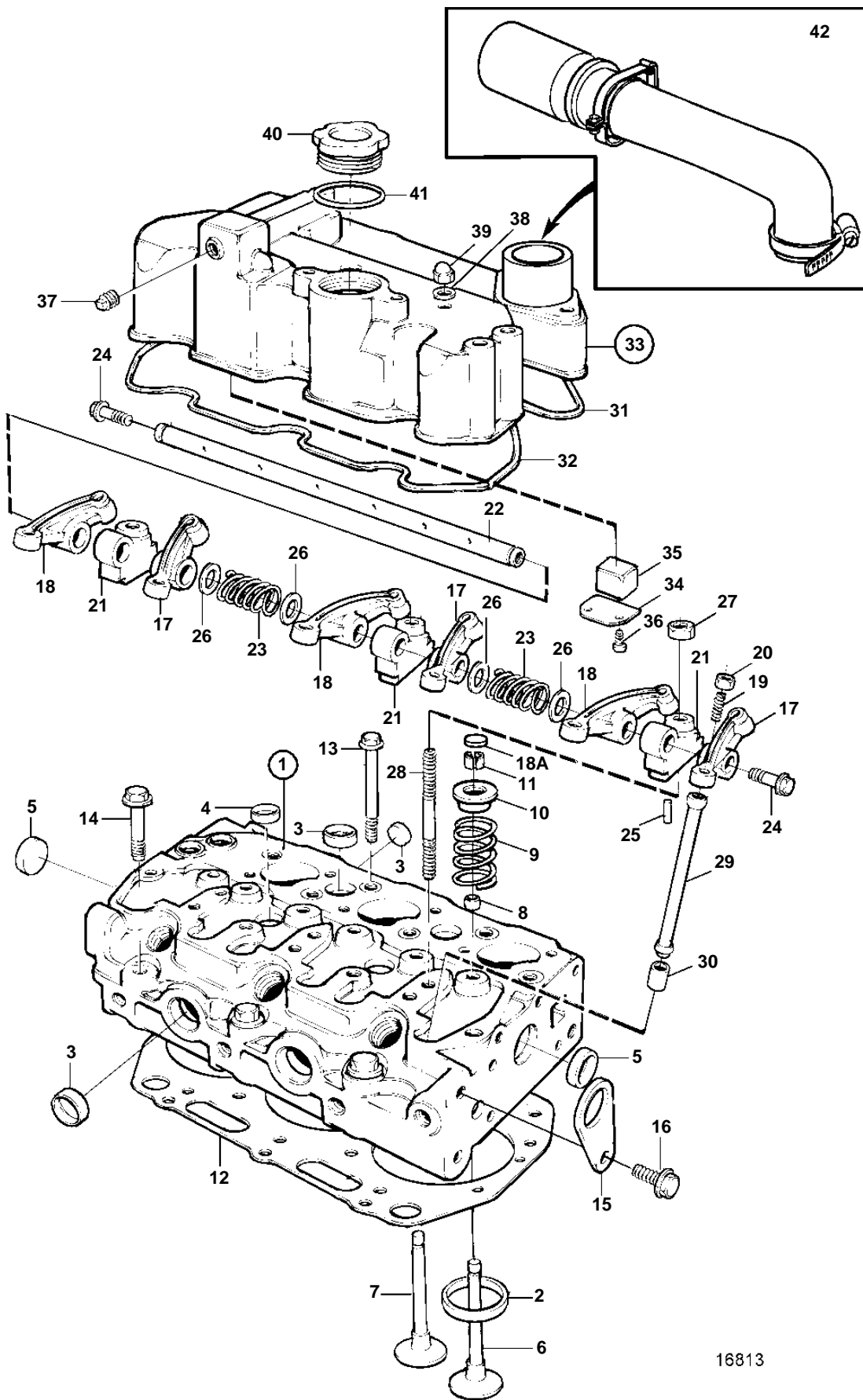


MD2030B



16813

## MD2030B

REF	PART NO.	QTY	DESCRIPTION	SEE SEC.	NOTES
1	3580300	1	Cylinder head		
2	3580301	3	· Valve seat		
3	861802	6	· Plug		
4	861801	2	· Plug		
5	3580302	2	· Plug		
6	3580303	3	· Inlet valve		
7	3580304	3	· Exhaust valve		
8	3580305	3	· Valve stem seal, exhaust		
	3580306	3	· Valve stem seal, intake		
9	3580964	6	· Valve spring		
10	3580307	6	· Valve spring washer		
11	3580308	12	· Valve cone		
12	3580309	1	Gasket		TH = 1,3mm
13	3580310	11	Screw		
14	3580311	3	Screw		
15		1	Lifting eye		
16	861870	2	Screw		
17	861875	3	Rocker arm		Replaced by 1 ea rocker arm, 3581291 and 1 ea valve cap, 3580481.
	3581291	3	Rocker arm		
18	861876	3	Rocker arm		Replaced by 1 ea rocker arm, 3581292 and 1 ea valve cap, 3580481.
	3581292	3	Rocker arm		
18A	3580481	6	Valve cap		
19	861877	6	Adjuster screw		
20	861878	6	Nut		
21	861879	3	Bracket		
22	3580314	1	Rocker arm shaft		
23	3580315	2	Spring		
24	861886	2	Plug		
25	861882	1	Tensioning din		
26	861883	4	Shim		
27	948645	3	Lock nut		
28	861885	3	Stud		
29	3580289	6	Push rod		
30	3580464	6	Lifter		(861827)
31	3580316	1	Gasket		
32	3580317	1	Gasket		
33	3580955	1	Valve cover		
34		1	· Retainer		
35	3580320	1	· Filter		
36	3580321	2	· Screw		
37		1	· Plug		
38	11992	3	Gasket		
39	861895	3	Nut		
40	861896	1	Oil filler cap		
41	861897	1	O-ring		
42		1	Air inlet	3110	