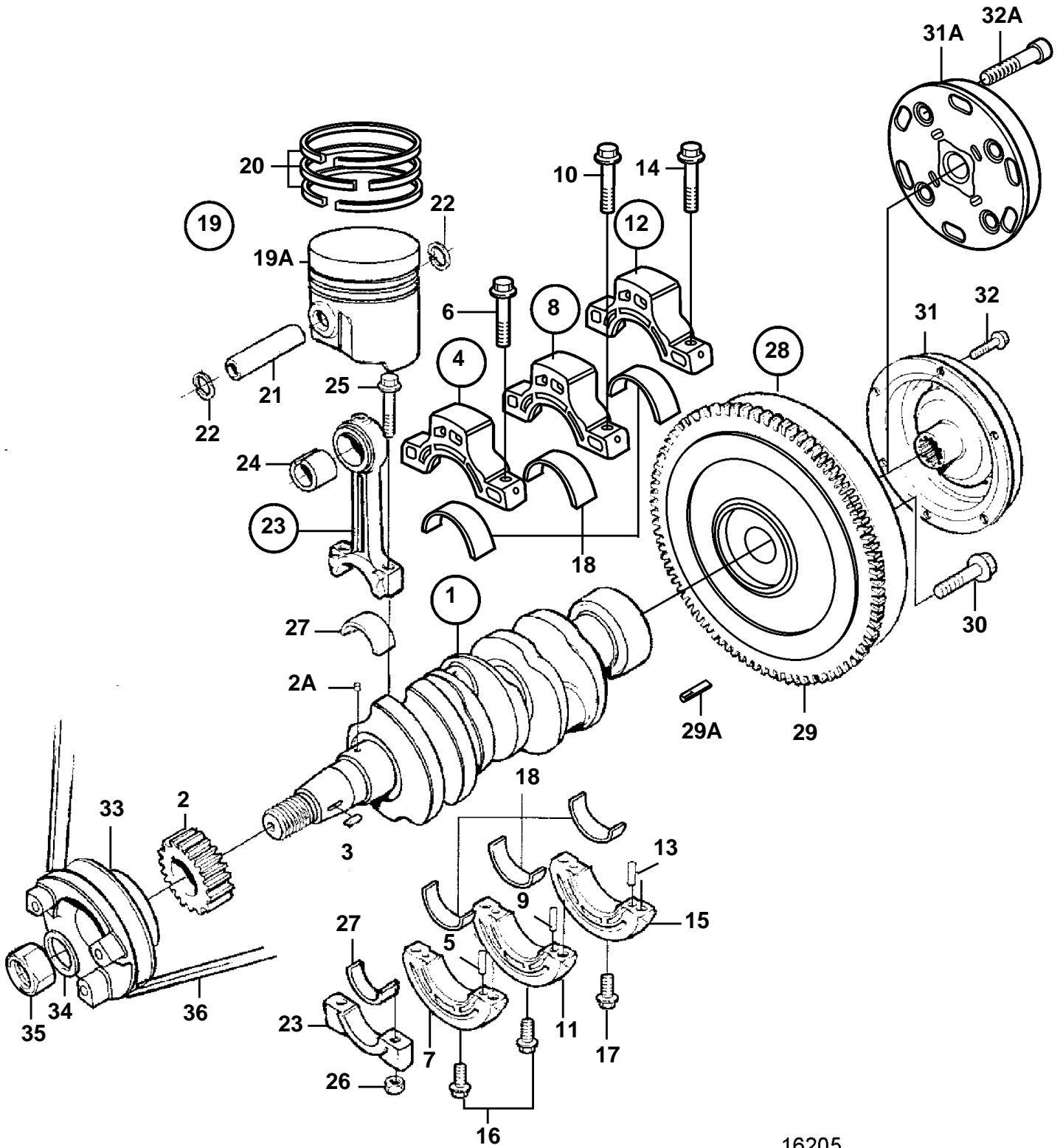


MD2030B



16205

MD2030B

REF	PART NO.	QTY	DESCRIPTION	SEE SEC.	NOTES
1	3580332	1	Crankshaft		
2	3580333	1	• Gear		
2A	861934	1	• Key		
3	861969	1	Woodruff key		
4		1	Retainer		
5		2	• Pin		
6	861936	2	• Screw		
7		1	• Retainer		
8		1	Retainer		
9		2	• Pin		
10	861936	2	• Screw		
11		1	• Retainer		
12		1	Retainer		
13		2	• Pin		
14	861936	2	• Screw		
15		1	• Retainer		
16	861953	2	Screw		
17	861952	2	Screw		
18	876660	1	Main bearing kit		STD D
	876661	1	Main bearing kit		U.S=0,25mm
	876662	1	Main bearing kit		U.S=0,50mm
19	876694	3	Piston kit		STD D
	876698	3	Piston kit		OVER SIZE 0,50mm
	876816	3	Piston kit		OVER SIZE 1,00mm
19A		3	• Piston kit		STD D
		3	• Piston kit		OVER SIZE 0,50mm
		3	• Piston kit		OVER SIZE 1,00mm
20	3580337	3	• • Piston ring kit		STD D
	3580338	3	• • Piston ring kit		OVER SIZE 0,50mm
	3580339	3	• • Piston ring kit		OVER SIZE 1,00mm
21	3580343	3	• Piston pin		
22	3580344	6	• Lock ring		
23	3580345	3	Connecting rod		
24	3580346	3	• Bushing		
25	3580347	6	• Screw		
26	3580348	6	• Nut		
27	876682	1	Big end bearing kit		STD D
	876683	1	Big end bearing kit		U.S=0,25mm
	876684	1	Big end bearing kit		U.S=0,50mm
28	3580353	1	Flywheel		
29	3580354	1	• Gear ring		
29A	3580352	1	Locating pin		
30	3580355	6	Screw		
31	872809	1	Vibration damper		
	872809	1			
31A	3885414	1	Vibration damper		
	3885414	1			
32	861975	6	Screw		
32A	959207	6	Screw		
33	3580255	1	Pulley		
34	861978	1	Washer		
35	861977	1	Nut		
36		1	V-belt	2437	MD2030B