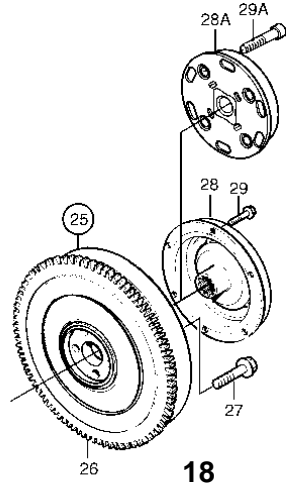
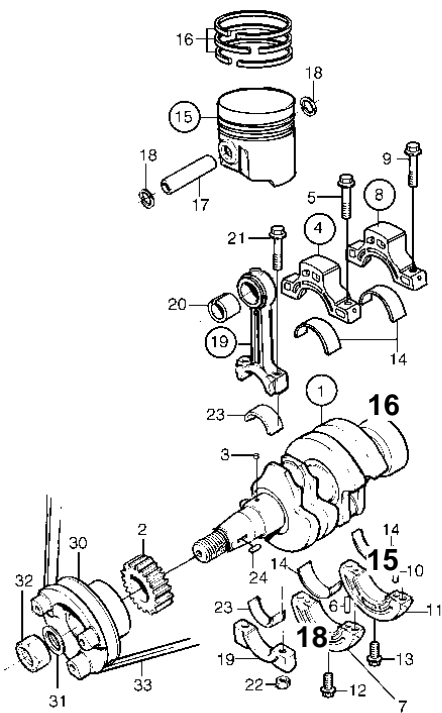


MD2010B



28A 29A

9

28 29

8

5

25

4

21

20

19

14

1

23

27

3

26

2

14

30

14

10

32

24

23

6

11

19

13

33

22

12

31

7

MD2010B

REF	PART NO.	QTY	DESCRIPTION	SEE SEC.	NOTES
1	861932	1	Crankshaft		
2	861933	1	· Gear		
3	861934	1	· Key		
4		1	Retainer		
5	861936	2	· Screw		
6		2	· Pin		
7		1	· Retainer		
8		1	Retainer		
9	861936	2	· Screw		
10		2	· Pin		
11		1	· Retainer		
12	861952	1	Screw		
13	861953	2	Screw		
14	876657	1	Main bearing kit		STD D
	876658	1	Main bearing kit		U.S=0,25mm
	876659	1	Main bearing kit		U.S=0,50mm
15	876692	2	Piston kit		STD D (861957)
	876696	2	Piston kit		O.S=0,25mm (861958)
	876814	2	Piston kit		O.S=0,50mm (861959)
16	861954	2	· Piston ring kit		STD D
	861955	2	· Piston ring kit		O.S=0,25mm
	861956	2	· Piston ring kit		O.D=0,50mm
17	861960	2	· Piston pin		
18	861961	4	· Lock ring		
19	861962	2	Connecting rod		
20	861963	2	· Bushing		
21	861964	4	· Screw		
22	861965	4	· Nut		
23	876669	1	Big end bearing kit		STD D
	876670	1	Big end bearing kit		U.S=0,25mm
	876671	1	Big end bearing kit		U.S=0,50mm
24	861969	1	Woodruff key		
25	861972	1	Flywheel		
26	861973	1	· Gear ring		
27	861974	4	Screw		
28	872809	1	Vibration damper		
29	861975	6	Screw		
30	861976	1	Pulley		
31	861978	1	Washer		
32	861977	1	Nut		
33		1	V-belt	2437	