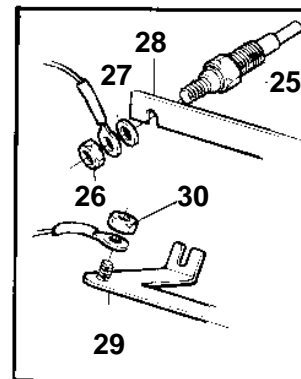
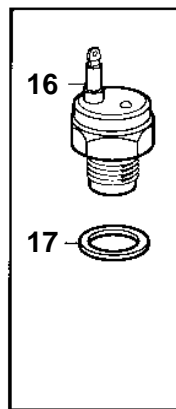
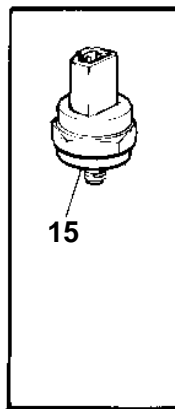
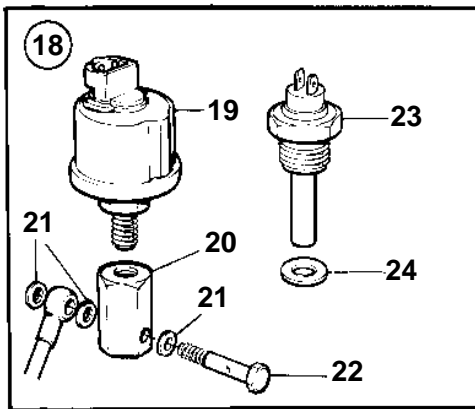
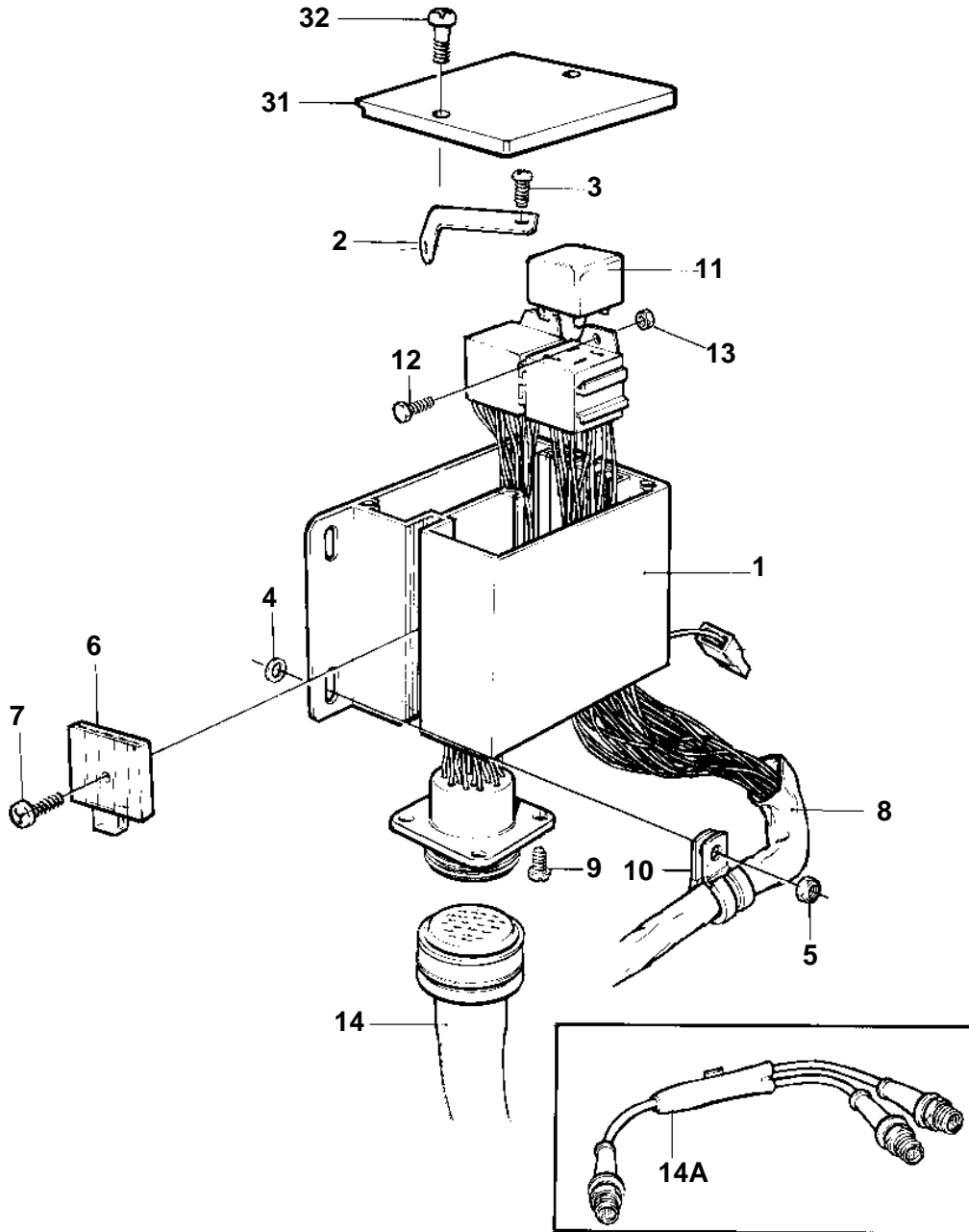


MD2010B, MD2020B, MD2030B, MD2040B



16174

MD2010B, MD2020B, MD2030B, MD2040B

REF	PART NO.	QTY	DESCRIPTION	NOTES
1	861648	1	Electrical distribut	
2	3580947	1	Stay	
3	955119	1	Screw	
4		2	Washer	
5	945407	2	Flange nut	
6	873566	1	Fuse box	
7	955142	1	Screw	
8	873565	1	Wiring harness	
9	955119	4	Screw	
10	952627	1	Clamp	
11	873765	2	Relay	12V 20-30A (873604)
12	948663	2	Screw	
13	955780	2	Nut	
14	846648	1	Extension cable	L=3.0m
	846649	1	Extension cable	L=5.0m
	846650	1	Extension cable	L=7.0m
	873838	1	Extension cable	L=9.0m
	873839	1	Extension cable	L=11.0m
14A	1140598	X	Y-koppling	For double steering positions.
15	873597	1	Pressure monitor	
16	873598	1	Thermo monitor	95°C
17	947622	1	Gasket	
18	873569	1	Sensor kit	
19	366906	1	• Pressure sensor	0-10bar
20	861388	1	• Adapter	
21	947620	3	• Gasket	
22	861389	1	• Hollow screw	
23	827151	1	• Temperature sensor	120°C
24	947624	1	• Gasket	
25	3580084	2	Glow plug	
26		2	• Nut	
27		2	• Washer	
28	3580085	1	Current bar	
31	861681	1	Cover	
32	955142	2	Screw	