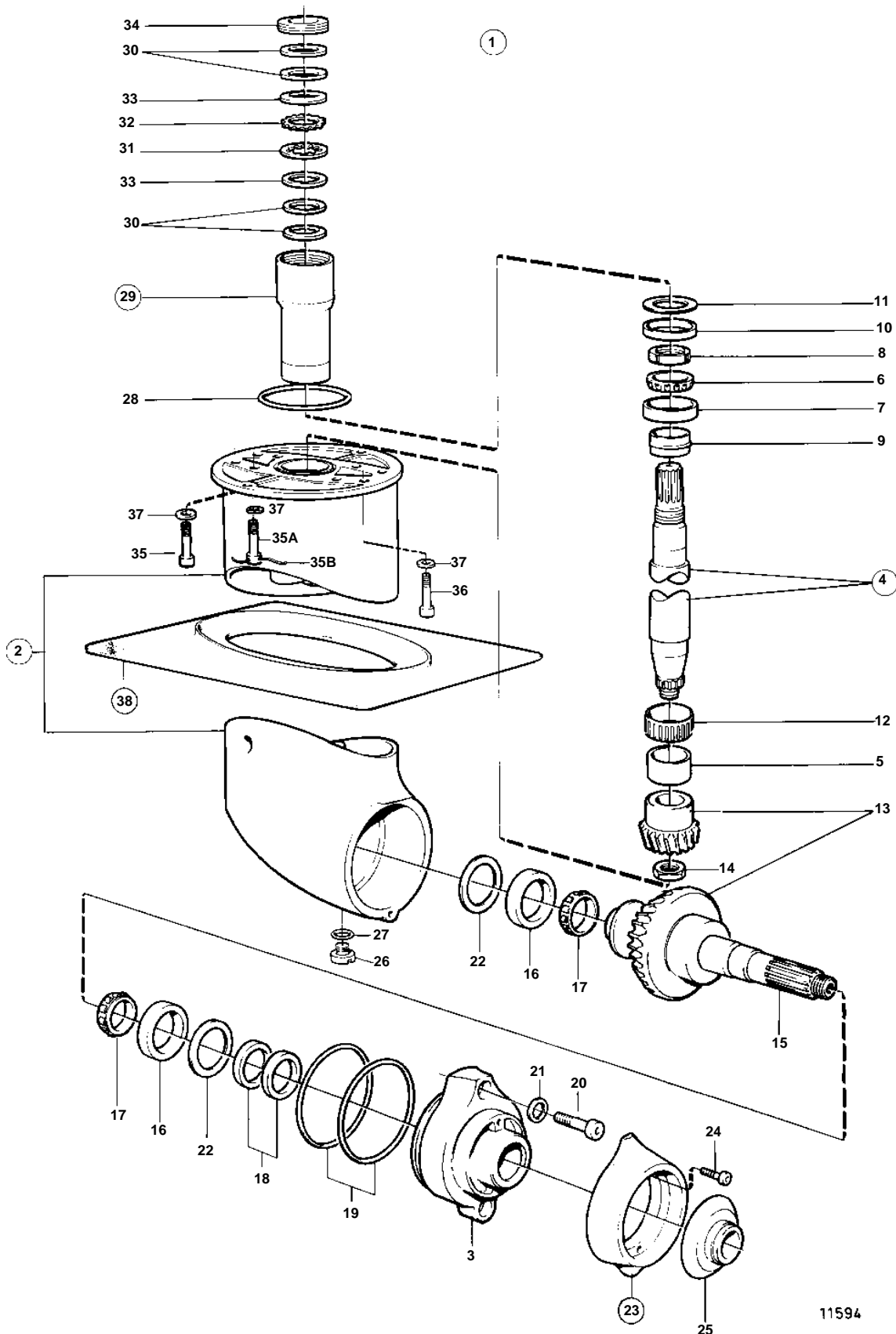


120S-E



11594

## 120S-E

REF	PART NO.	QTY	DESCRIPTION		NOTES
1	3856832	1	Gear under		
2	3856833	1	• Gear housing		
3	873127	1	• • Bearing housing		
4	852484	1	• Countershaft		
5		1	• • Ring	NS	
6	183752	2	• Inner ring		
7	183750	2	• Cup		
8	852485	1	• Lock nut		
9	851974	1	• Collet		
10	852162	1	• Spacer sleeve		
11	948298	X	• Shim		TH = 0,10mm
	948299	X	• Shim		TH = 0.15mm
	948300	X	• Shim		TH=0.35mm
	948303	X	• Shim		TH = 1,00mm
12	852508	1	• Needle bearing		
13	873061	1	• Gear set		
14	850981	1	• Nut		
15	851652	1	• Driveshaft		
16	181587	2	• Ring		
17	181588	2	• Ring		
18	873108	2	• Sealing ring		
19	925256	2	• O-ring		
20	946541	2	• Screw		
21	897871	2	• Shim		
22	851980	X	• Shim		TH = 0,10mm
	851981	X	• Shim		TH = 0.15mm
	851982	X	• Shim		TH=0.35mm
	949074	X	• Shim		TH = 0,50mm
23	876286	1	• Zinc ring kit		
24	949823	2	• Screw		
25	851984	1	• Line cutter		
26	852904	1	• Magnetic plug		
27	955974	1	• O-ring		
28	925256	1	O-ring		Included in mounting kit 854934.. Included in complete drive.
29	852724	1	Splined sleeve		Included in complete drive.
30		4	• Spring		
31		18	• Disc		
32		17	• Disc		
33		2	• Thrust washer		
34		1	• Adjuster screw		
35	963699	4	Screw		L=40mm. Included in complete drive.
35A	851860	4	Lock screw		L=40mm
35B	852668	X	Locking wire		L=700mm
36	963703	2	Screw		L=60mm. Included in complete drive.
37	897511	10	Washer		Included in complete drive.
38	854932	1	Mounting kit		Included in complete drive.