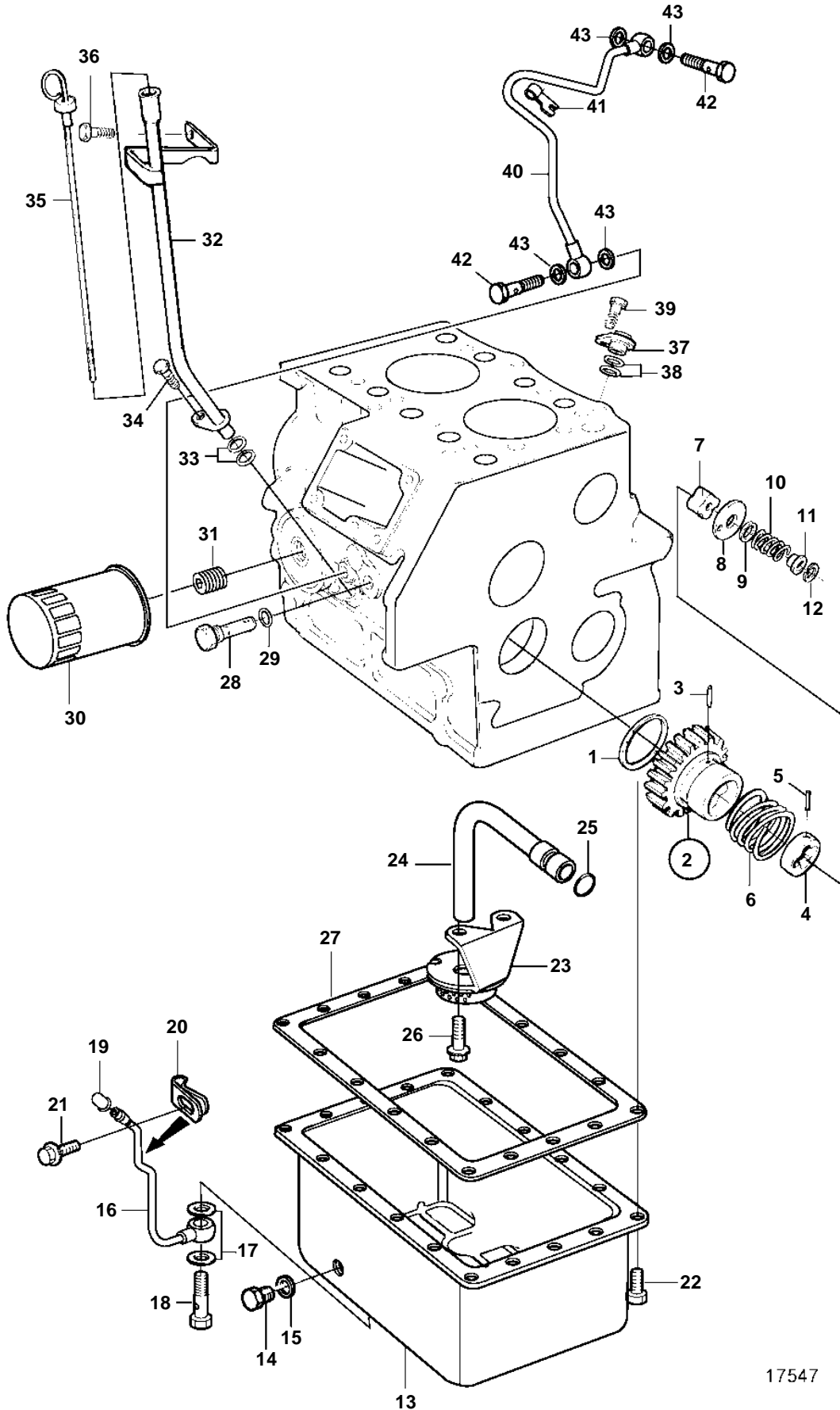


MD2010C, MD2010D



17547

MD2010C, MD2010D

REF	PART NO.	QTY	DESCRIPTION	NOTES
1	861986	1	Thrust washer	
2	861987	1	Gear	
3		1	· Pin	
4		1	· Rotorouter	
5		1	· Pin	
6	861988	1	· Spring	
7	861989	1	Rotor	
8	861527	1	Cover	
9	861528	X	Shim	
	861529	X	Shim	
	861530	X	Shim	
	861531	X	Shim	
10	861532	1	Spring	
11	861533	1	Sleeve	
12	861534	1	Lock ring	
13	3581741	1	Oil pan	
14	861834	1	Plug	
15	11994	1	Gasket	(861835)
16	3581779	1	Oil draining pipe	
17	11994	2	Gasket	(861835)
18	3581928	1	Hollow screw	
19	1276516	1	Plug	
20	3582218	1	Clamp	
21	980108	1	Flange screw	
22	945358	14	Flange screw	
23	861999	1	Strainer	
24	861998	1	Tube	
25	861997	1	O-ring	
26	861526	2	Screw	
27	861822	1	Gasket	
28	861829	1	Reducing valve	
29	861830	1	O-ring	
30	3581621	1	Oil filter	
31	861825	1	Nipple	
32	861850	1	Tube	
33	861851	2	O-ring	
34	967949	1	Screw	
35	3581557	1	Oil dipstick	
36	861854	1	Screw	
37		1	Plug	
38	861851	2	O-ring	
39	967949	1	Screw	
40	3581787	1	Oil pipe	
41		1	· Clamp	
42	861872	2	Hollow screw	
43	11992	4	Gasket	