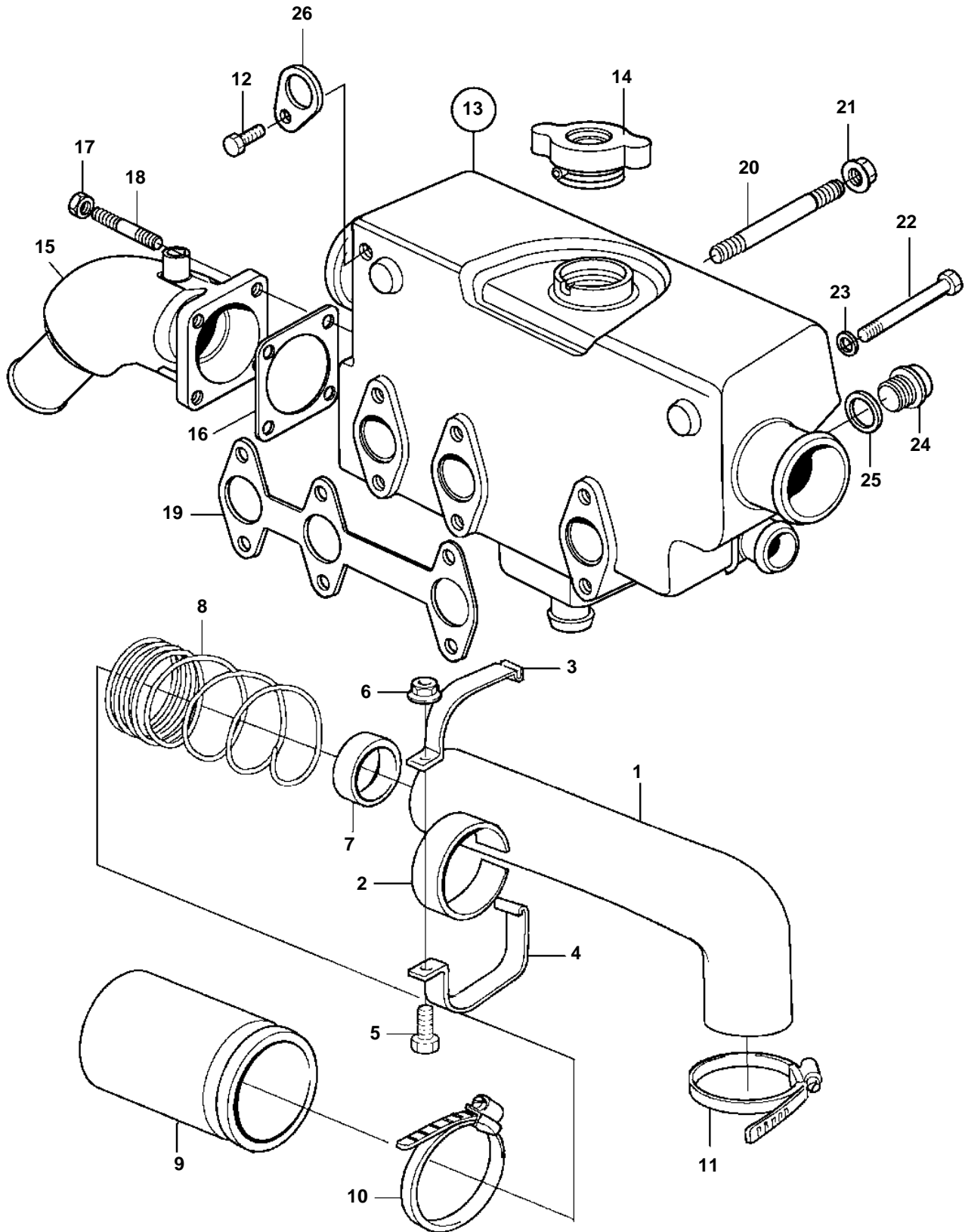


MD2030C, MD2030D



MD2030C, MD2030D

| REF | PART NO. | QTY | DESCRIPTION          | SEE SEC. | NOTES  |
|-----|----------|-----|----------------------|----------|--|
| 1   | 3580956  | 1   | Air inlet            |          |  |
| 2   | 3581401  | 1   | Rubber guard         |          |  |
| 3   | 3581398  | 1   | Clamp                |          |  |
| 4   | 3581399  | 1   | Clamp                |          |  |
| 5   | 967949   | 1   | Screw                |          |  |
| 6   | 945407   | 1   | Flange nut           |          |  |
| 7   | 3581400  | 1   | Tube                 |          |  |
| 8   | 3580510  | 1   | Spring               |          |  |
| 9   | 3580509  | 1   | Filter               |          |  |
| 10  | 961673   | 1   | Clamp                |          |  |
| 11  | 961671   | 1   | Hose clamp           |          |  |
| 12  | 861870   | 1   | Screw                |          |  |
| 13  | 3581926  | 1   | Heat exchanger housi |          |  |
| 14  | 3581770  | 1   | Filler cap           |          |  |
|     |          | 1   | Cover                | 573      | ALT. When separate expansion tank is being used. |
| 15  | 861906   | 1   | Exhaust riser        |          |  |
| 16  | 861907   | 1   | Gasket               |          |  |
| 17  | 948645   | 4   | Lock nut             |          |  |
| 18  | 953045   | 4   | Stud                 |          |  |
| 19  | 3580323  | 1   | Gasket               |          |  |
| 20  | 3580324  | 2   | Stud                 |          |  |
| 21  | 945407   | 2   | Flange nut           |          |  |
| 22  | 861912   | 4   | Screw                |          |  |
| 23  | 861913   | 4   | Spring washer        |          |  |
| 24  | 861918   | 1   | Plug                 |          |  |
| 25  | 861917   | 1   | Gasket               |          |  |
| 26  |          | 1   | Lifting eye          |          |  |