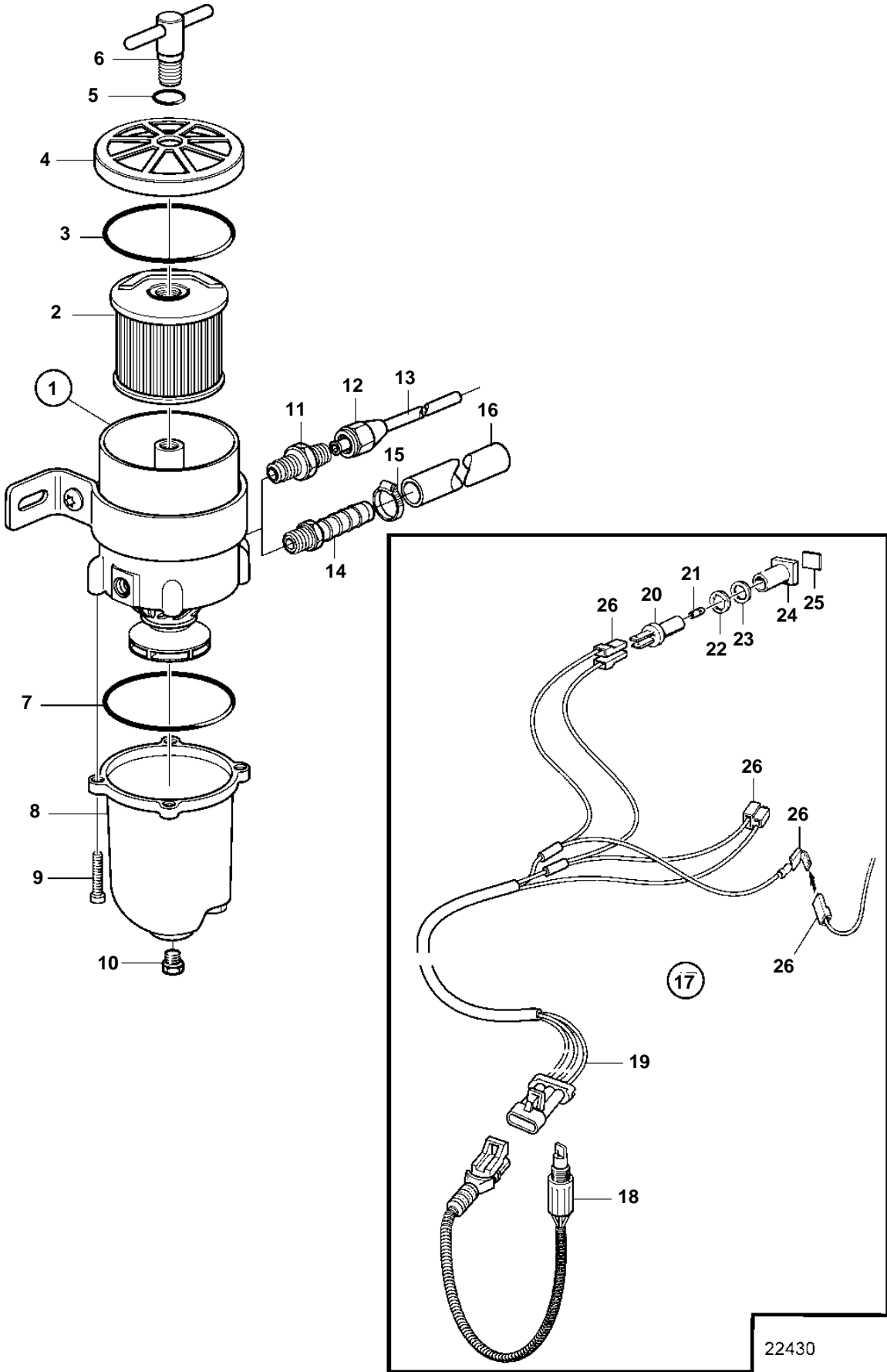


MD2010D, MD2020D, MD2030D, MD2040D



MD2010D, MD2020D, MD2030D, MD2040D

REF	PART NO.	QTY	DESCRIPTION	SEE SEC.	NOTES
1	877763	1	Fuel filter		
2	1147147	1	• Filter insert		2 MIKRON
	861014	1	Insert		10 MIKRON
	3581760	1	Filter insert		30 MIKRON
3	838504	1	• Gasket		
4		1	• Strainer		
5	838506	1	• Bowl		
6		1	• Knob		
7	3838861	1	• Gasket		
8	3838848	1	• Bowl		
9	950024	4	• Screw		
10	952075	1	• Plug		
11	954337	2	Nipple		
12	954323	2	Cap nut		
13	1140062	2	Copper tube		
14	3825000	2	Nipple		
15	961664	2	Hose clamp		
16	861057	X	Fuel hose		3/8"
17	1140624	1	Level sensor		
18	3588916	1	• Sender		
19	881774	1	• Wiring harness		
20	808175	1	• Bulb socket		
21	19923	1	• Bulb		12V, 2W
	182059	1	• Bulb		24V, 3W
22	967583	1	• Retainer		
23	829714	1	• Seal		
24	838455	1	• Retainer		
25	872591	1	• Symbol strip		
26		X	• Cables and terminals	1963	