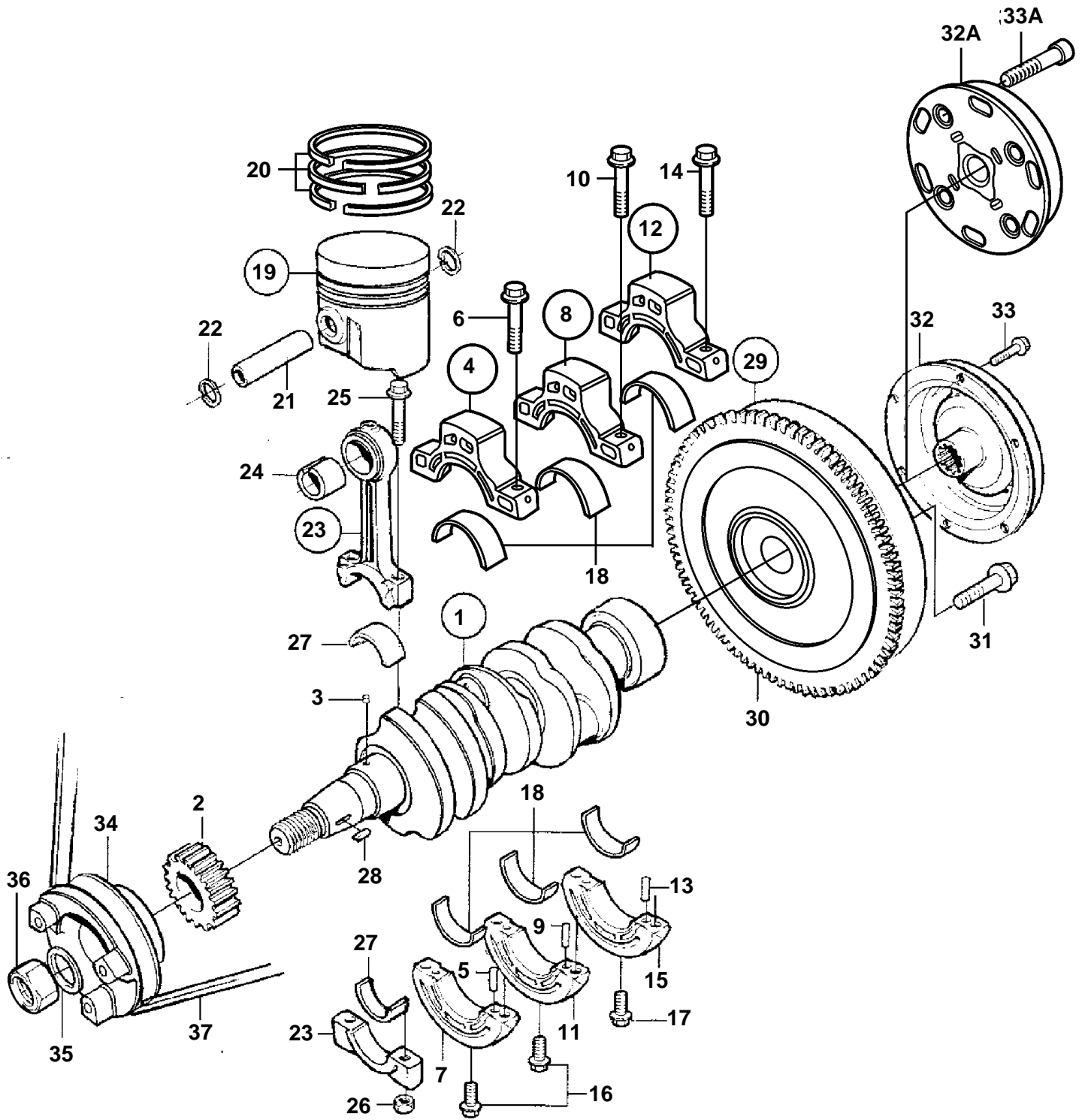


MD2020C, MD2020D



17535

## MD2020C, MD2020D

REF	PART NO.	QTY	DESCRIPTION	SEE SEC.	NOTES
1	3580253	1	Crankshaft		
2	861933	1	• Gear		
3	861934	1	• Key		
4		1	Retainer		
5		2	• Pin		
6	947760	2	• Flange screw		(861936)
7		1	• Retainer		
8		1	Retainer		
9		2	• Pin		
10	947760	2	• Flange screw		(861936)
11		1	• Retainer		
12		1	Retainer		
13		2	• Pin		
14	947760	2	• Flange screw		(861936)
15		1	• Retainer		
16	861952	2	Screw		
17	861953	2	Screw		
18	876666	1	Main bearing kit		STD D
	876667	1	Main bearing kit		U.S=0,25mm
	876668	1	Main bearing kit		U.S=0,50mm
19	876692	3	Piston kit		STD D
	876696	3	Piston kit		O.S=0,25mm
	876814	3	Piston kit		O.D=0,50mm
20	861954	3	• Piston ring kit		STD D
	861955	3	• Piston ring kit		O.S=0,25mm
	861956	3	• Piston ring kit		O.D=0,50mm
21	861960	3	• Piston pin		
22	861961	6	• Lock ring		
23	861962	3	Connecting rod		
24	861963	3	• Bushing		
25	861964	6	• Screw		
26	861965	6	• Nut		
27	876672	1	Big end bearing kit		STD D
	876680	1	Big end bearing kit		U.S=0,25mm
	876681	1	Big end bearing kit		U.S=0,50mm
28	861969	1	Woodruff key		
29	861972	1	Flywheel		
30	861973	1	• Gear ring		
31	861974	4	Screw		
32	872809	1	Vibration damper		UP TO MD2020C
32A	3885414	1	Vibration damper		MD2020D
33	861975	6	Screw		UP TO MD2020C
33A	959207	6	Screw		MD2020D
34	3580255	1	Pulley		
35	861978	1	Washer		
36	861977	1	Nut		
37		1	V-belt	4187	