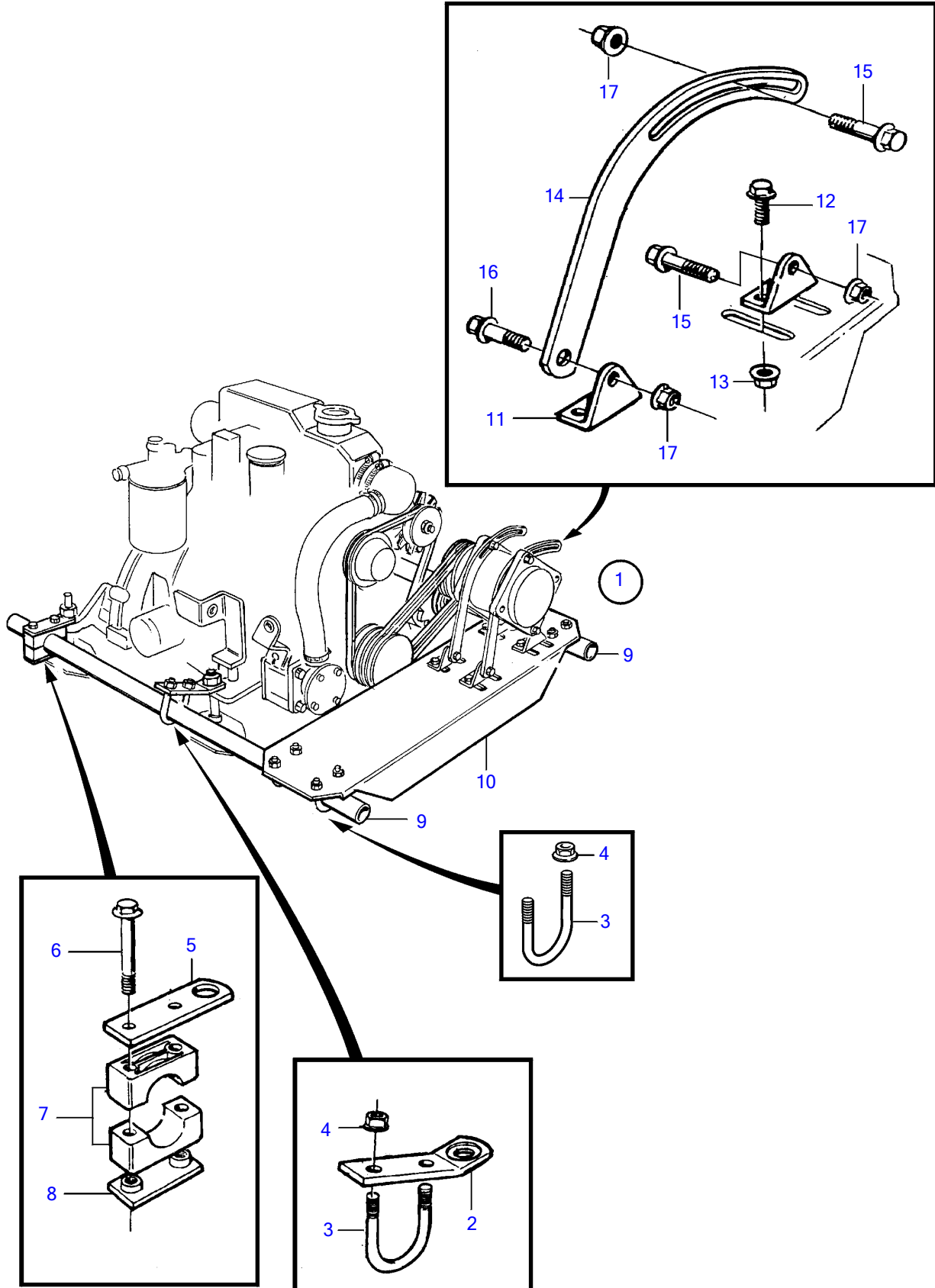


MD2020B, MD2030B



MD2020B, MD2030B

| REF | PART NO. | QTY | DESCRIPTION | NOTES |
|-----|----------|-----|-------------------|----------|
| 1 | 3581049 | 1 | Bracket | |
| 2 | 3581030 | 2 | • Anchorage | |
| 3 | 3580739 | 6 | • Clamp | |
| 4 | 945408 | 12 | • Flange nut | |
| 5 | 3580738 | 2 | • Bracket | |
| 6 | 985030 | 4 | • Flange screw | |
| 7 | 3581108 | 4 | • Clamp | |
| 8 | 3581109 | 2 | • Plate | |
| 9 | 3581028 | 2 | • Pipe | |
| 10 | 3581020 | 1 | • Attaching plate | |
| 11 | 854607 | 4 | • Bracket | |
| 12 | 945444 | 8 | • Flange screw | M8x25mm |
| 13 | 945408 | 8 | • Flange nut | M8 |
| 14 | 854608 | 2 | • Tensioner | |
| 15 | 946472 | 4 | • Flange screw | M10x30mm |
| 16 | 946329 | 2 | • Flange screw | M10x25mm |
| 17 | 971095 | 6 | • Flange nut | M10 |