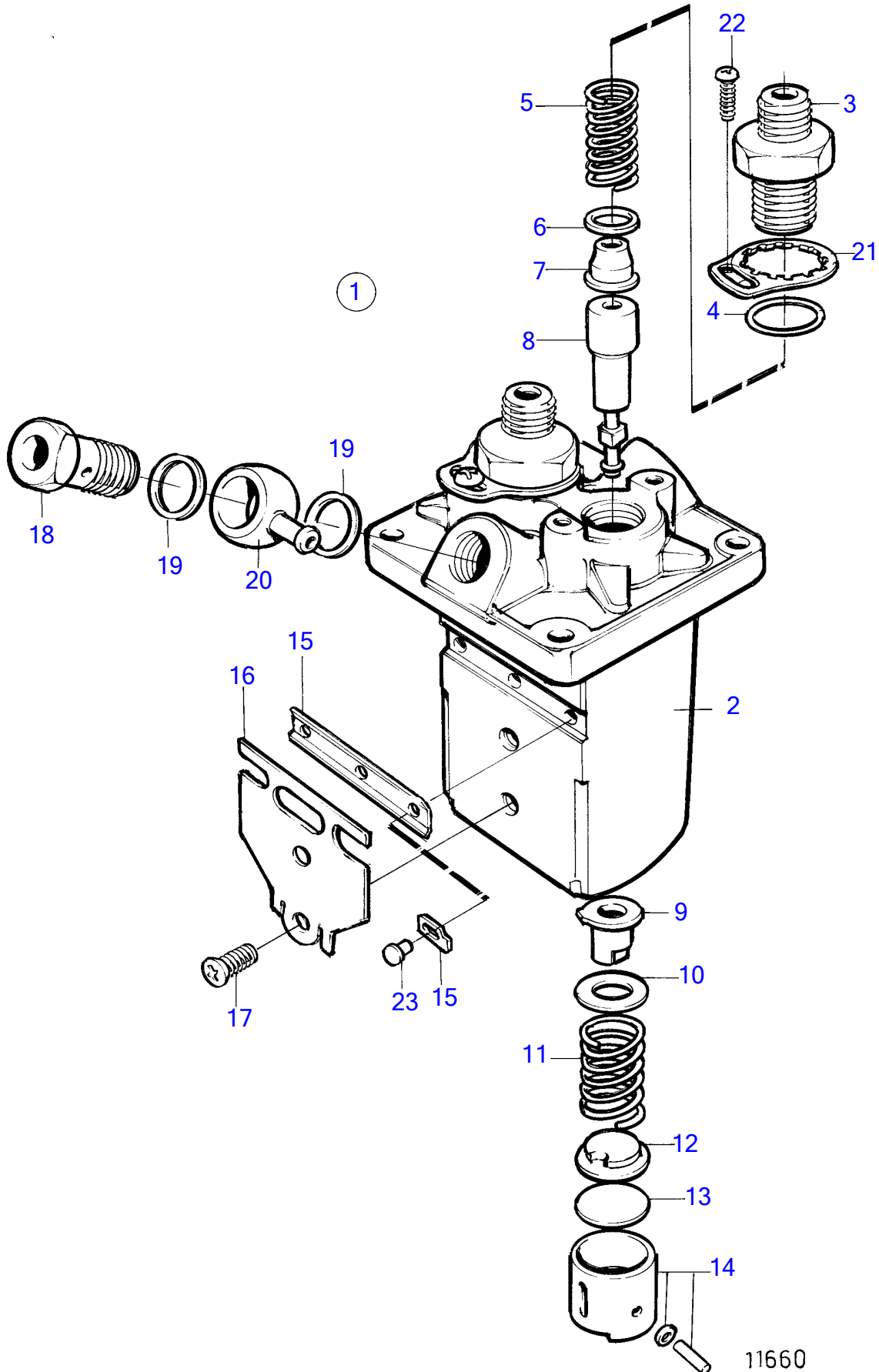


MD2010B



11660

MD2010B

REF	PART NO.	QTY	DESCRIPTION	NOTES
1	3580068	1	Injection pump	
2		1	• Housing	
3	(3580123)	2	• Retainer	Obsolete part
4	3580124	2	• O-ring	
5	3580125	2	• Spring	
6	3580276	2	• Gasket	(3580126)
7	(3580128)	2	• Delivery valve	Obsolete part
8	3580129	2	• Pump element tappet	
9	3580130	2	• Control sleeve	
10	3580131	2	• Washer	
11	3580132	2	• Spring	
12	3580133	2	• Washer	
13	(3580134)	X	• Adjusting washer	TH=1,85mm, Obsolete part
	(3580135)	X	• Adjusting washer	Obsolete part, TH=1,90mm
	(3580136)	X	• Adjusting washer	Obsolete part, TH=1,95mm
	(3580137)	X	• Adjusting washer	Obsolete part, TH=2.00mm
	(3580138)	X	• Adjusting washer	Obsolete part, TH=2.05mm
	(3580139)	X	• Adjusting washer	Obsolete part, TH=2.10mm
	(3580140)	X	• Adjusting washer	Obsolete part, TH=2.15mm
	(3580141)	X	• Adjusting washer	Obsolete part, TH=2.20mm
	(3580142)	X	• Adjusting washer	Obsolete part, TH=2.25mm
	(3580143)	X	• Adjusting washer	Obsolete part, TH=2.30mm
	(3580144)	X	• Adjusting washer	Obsolete part, TH=2.35mm
	3580145	X	• Adjusting washer	TH=2.40mm
	3580146	X	• Adjusting washer	TH=2.45mm
	3580147	X	• Adjusting washer	TH=2.50mm
14	3580148	2	• Tappet	
15	3580149	1	• Control rod	
16		1	• Bracket	
17	3580151	2	• Screw	
18	3580152	1	• Screw	
19	18665	2	• Gasket	
20	3580154	1	• Banjo nipple	
21	3580155	2	• Lock plate	
22	3580156	2	• Screw	
23	3580157	2	• Locking pin	