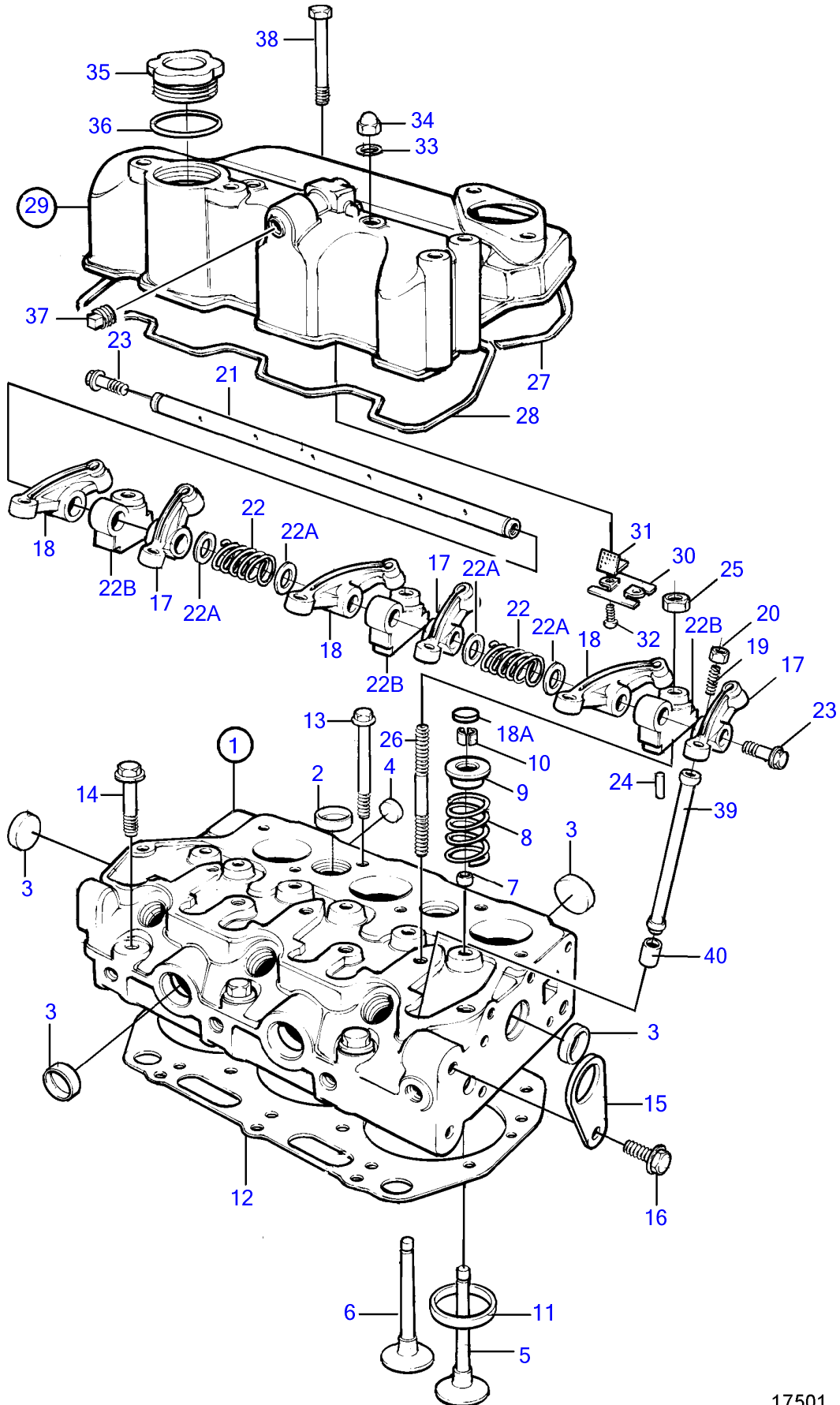


MD2020B



## MD2020B

| REF | PART NO. | QTY | DESCRIPTION           | NOTES   |
|-----|----------|-----|-----------------------|---|
| 1   | 3580233  | 1   | Cylinder head         |   |
| 2   | 3886428  | 2   | • Cardboard tube      |   |
| 3   | 3886430  | 6   | • Plug blank          |   |
| 4   | 3807215  | 4   | • Plug                | (3580456)   |
| 5   | 861858   | 3   | • Inlet valve         |   |
| 6   | 861859   | 3   | • Exhaust valve       |   |
| 7   | 861860   | 6   | • Valve stem seal     |   |
| 8   | 861861   | 6   | • Valve spring        |   |
| 9   | 861862   | 6   | • Valve spring washer |   |
| 10  | 861863   | 12  | • Valve cone          |   |
| 11  | 861864   | 3   | • Valve seat          |   |
| 12  | 3580234  | 1   | Cylinder head gasket  | TH=0,5mm  |
| 13  | 861866   | 11  | Screw                 |   |
| 14  | 861867   | 3   | Screw                 |   |
| 15  | (861869) | 1   | Lifting eye           | Obsolete part   |
| 16  | 861870   | 1   | Screw                 |   |
| 17  | 861875   | 3   | Rocker arm            | Replaced by 1 ea rocker arm, 3581291 and 1 ea valve cap, 3581293. |
|     | 3581291  | 3   | Rocker arm            |   |
| 18  | 861876   | 3   | Rocker arm            | Replaced by 1 ea rocker arm, 3581292 and 1 ea valve cap, 3581293. |
|     | 3581292  | 3   | Rocker arm            |   |
| 18A | 3581293  | 6   | Valve cap             |   |
| 19  | 861877   | 6   | Screw                 |   |
| 20  | 861878   | 6   | Nut                   |   |
| 21  | 3580237  | 1   | Shaft                 |   |
| 22  | 861881   | 2   | Spring                |   |
| 22A | 861883   | 4   | Adjusting washer      |   |
| 22B | 3582684  | 3   | Bracket               | (861879)  |
| 23  | 861886   | 2   | Plug                  |   |
| 24  | 861882   | 1   | Tensioning din        |   |
| 25  | 948645   | 3   | Flange lock nut       |   |
| 26  | 861885   | 3   | Stud bolt             |   |
| 27  | 3580238  | 1   | Gasket                |   |
| 28  | 3580239  | 1   | Gasket                |   |
| 29  | 3580240  | 1   | Valve cover           |   |
| 30  |          | 1   | • Separator           |   |
| 31  | 861891   | 1   | • Filter              |   |
| 32  | 967949   | 2   | • Flange screw        |   |
| 33  | 11992    | 3   | Gasket                |   |
| 34  | 3580241  | 3   | Nut                   |   |
| 35  | 861896   | 1   | Oil filler cap        | Replaced by 3583541   |
|     | 3583541  | 1   | Oil filler cap        |   |
| 36  | 861897   | 1   | O-ring                |   |
| 37  | 861893   | 1   | Plug                  |   |
| 38  | 3580243  | 2   | Screw                 |   |
| 39  | 861828   | 6   | Push rod              |   |
| 40  | 861827   | 6   | Tappet                |   |