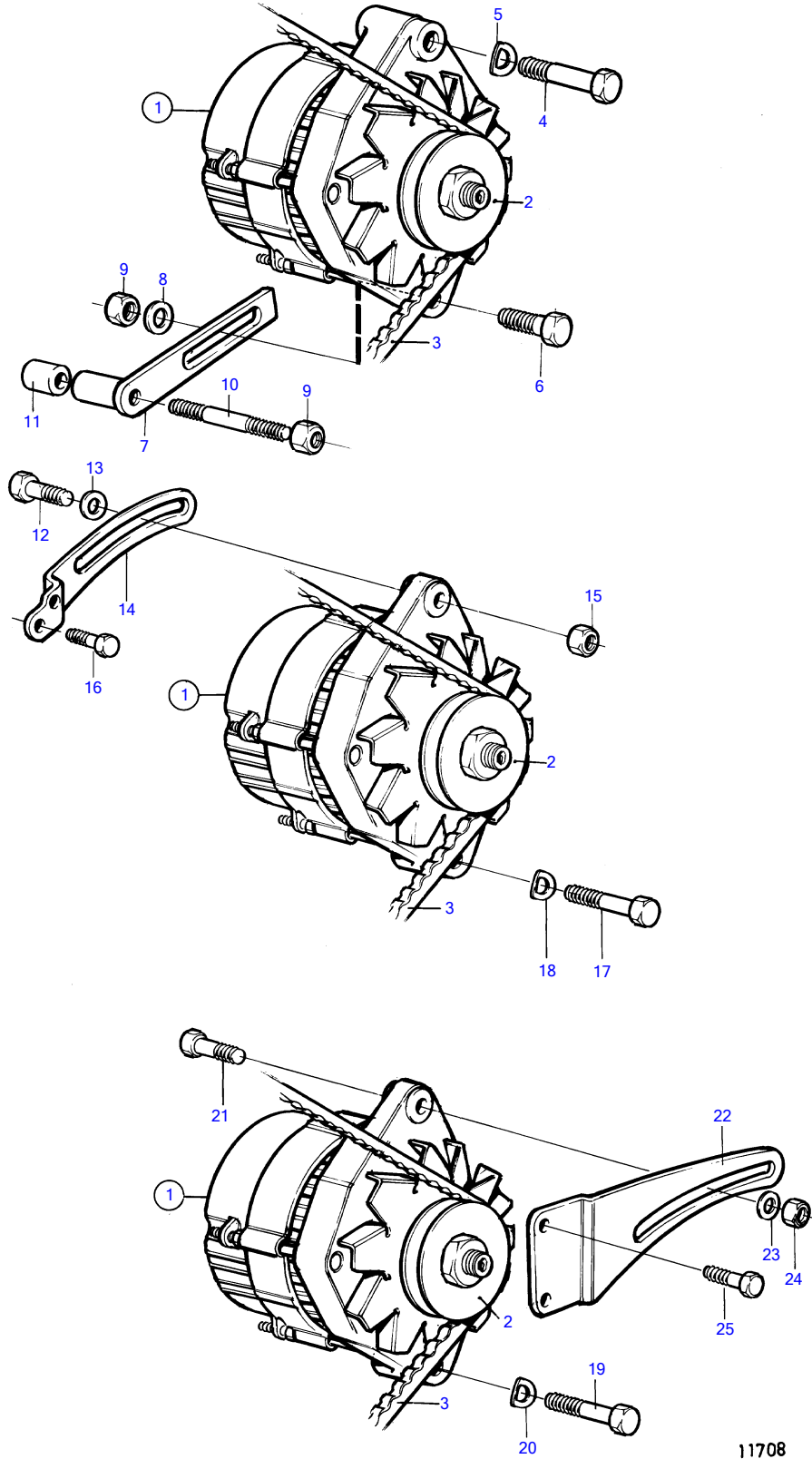


MD2010B, MD2020B



MD2010B, MD2020B

REF	PART NO.	QTY	DESCRIPTION	SEE SEC.	NOTES
1	872235	1	Alternator		14V 60A
	3803260	1	Alternator, exch, exch		14V 60A
			.		
			.	448	
2	873343	1	Pulley		Std
3	973534	1	V-belt		
	978710	1	V-belt		
4	3580014	1	Screw		
5	3580015	1	Spring washer		
6	947760	1	Flange screw		
7	3580016	1	Tensioner		
8	3580019	1	Washer		
9	945408	2	Flange nut		
10	3580021	1	Stud		MD2010B
	3580259	1	Stud		MD2020B
11	3580017	1	Sleeve		MD2010B