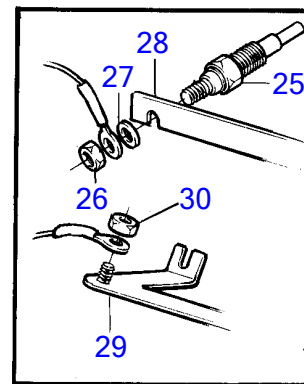
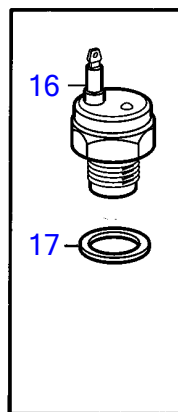
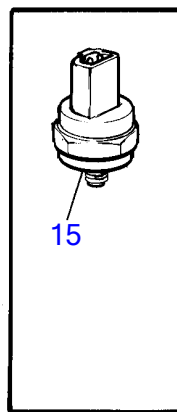
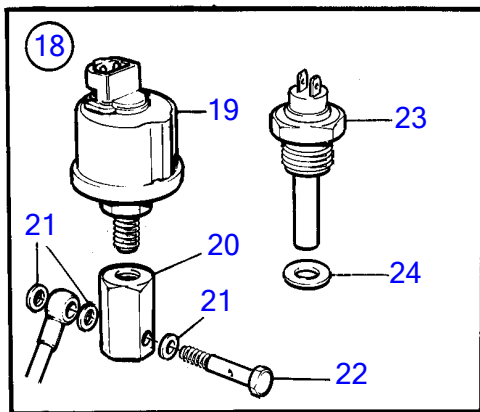
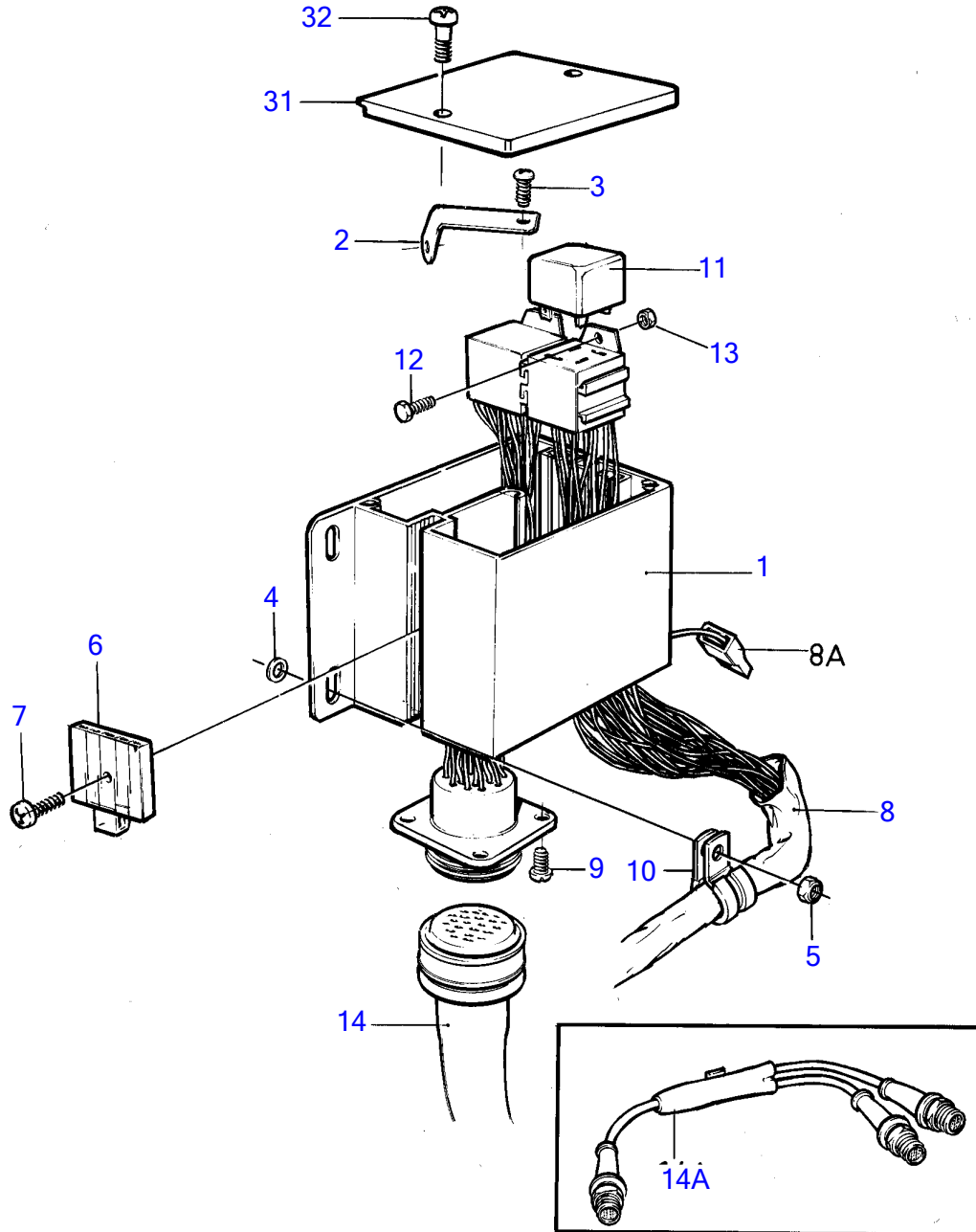


MD2020B, MD2030B



16174

MD2020B, MD2030B

REF	PART NO.	QTY	DESCRIPTION	NOTES
1	861648	1	Electrical distribut	
2	3580947	1	Stay	MD2020B, MD2020C
	3580948	1	Stay	MD2030B, MD2030C
3	955119	1	Cross recessed screw	
4		2	Washer	
5	945407	2	Flange nut	
6	873566	1	Fuse box	
7	955142	1	Cross recessed screw	
8	873565	1	Wiring harness	
9	955119	4	Cross recessed screw	
10	952627	1	Clamp	
11	873765	2	Relay	12V 20-30A (873604)
12	948663	2	Flange screw	
13	955780	2	Hexagon nut	
14	846648	1	Extension cable\verl	L=3.0m
	846649	1	Extension cable\verl	L=5.0m
	846650	1	Extension cable\verl	L=7.0m
	873838	1	Extension cable\verl	L=9.0m
	873839	1	Extension cable\verl	L=11.0m
14A	1140598	X	Distributing contact	For double steering positions.
15	873597	1	Pressure monitor	
16	873598	1	Thermo monitor	95°C
17	947622	1	Gasket	
18	873569	1	Sensor kit	
19	366906	1	• Pressure sensor	0-10BAR
20	861388	1	• Adapter	
21	947620	3	• Gasket	
22	861389	1	• Hollow screw	
23	827151	1	• Temperature sensor	120°C
24	947624	1	• Gasket	
25	3583025	3	Glow plug	
26		3	• Nut	
27		3	• Washer	
28	3580267	1	Current bar	MD2020B, MD2020C
	3580391	1	Current bar	MD2030B, MD2030C
29			Current bar	Not used with MD2010C, MD2010D, MD2020C, MD2020D, MD2030C or MD2030D.
30			Nut	Not used with MD2010C, MD2010D, MD2020C, MD2020D, MD2030C or MD2030D.
31	861681	1	Cardboard tube	
32	955142	2	Cross recessed screw	