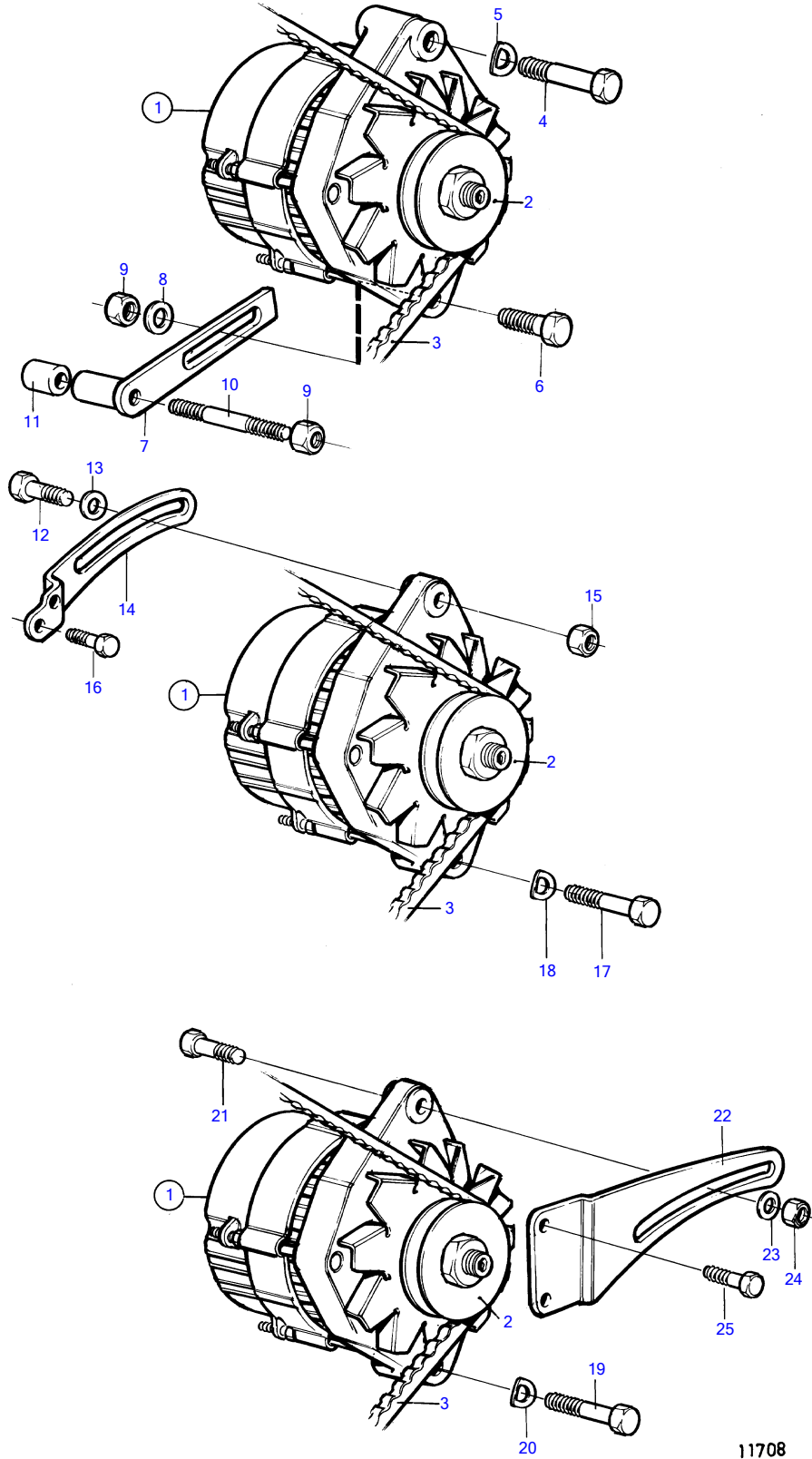


MD2030B



MD2030B

REF	PART NO.	QTY	DESCRIPTION	SEE SEC.	NOTES
1	872235	1	Alternator		14V 60A
	3803260	1	Alternator, exch, exch		14V 60A
			.	448	
2	873343	1	Pulley		Std
3	978482	1	V-belt		
12	947760	1	Flange screw		
13	3580019	1	Washer		
14	3580370	1	Tensioner		
15	948645	1	Flange lock nut		
16	3580243	2	Screw		
17	3580014	1	Screw		
18	3580015	1	Spring washer		