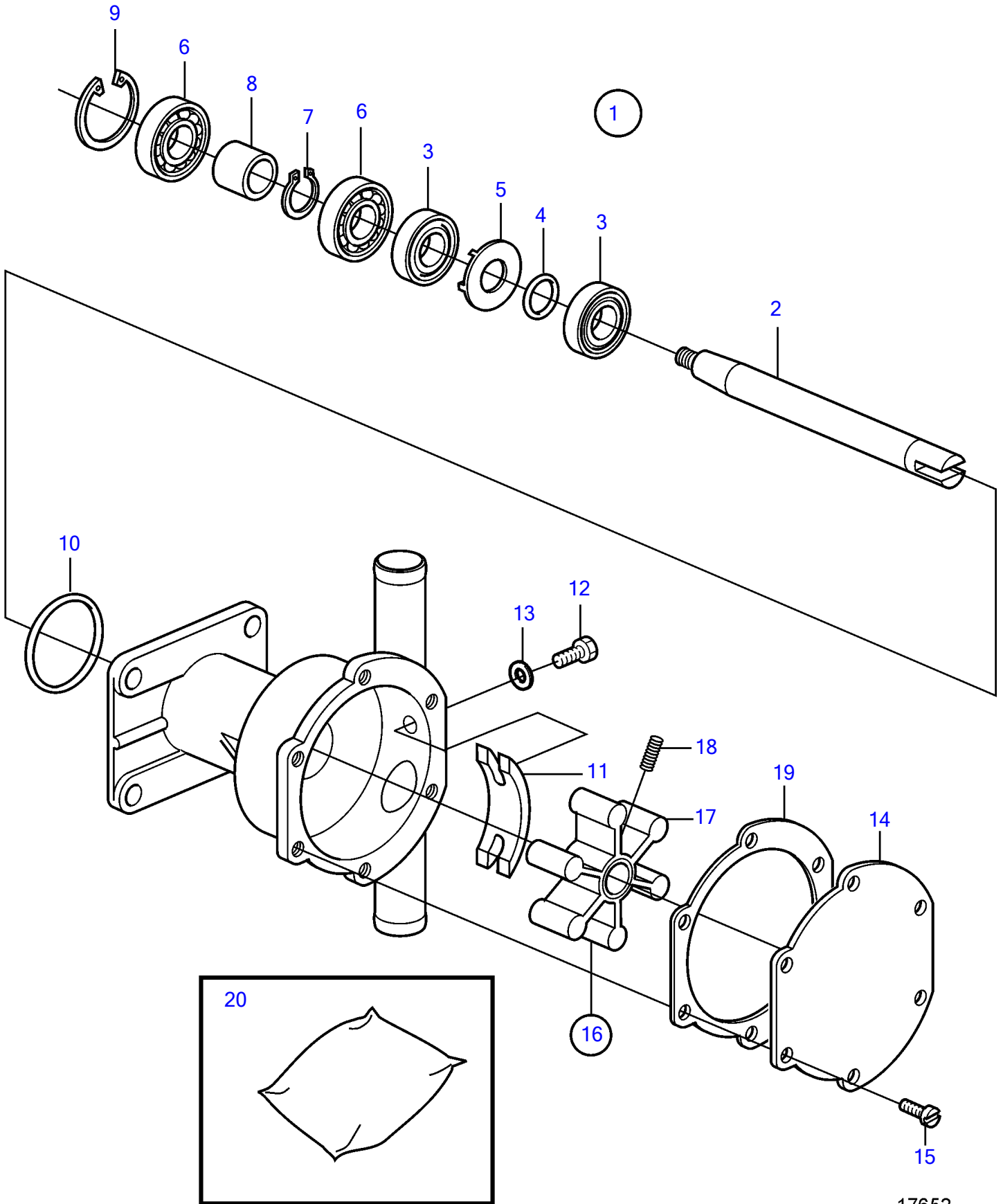


MD2010B, MD2020B



17652

MD2010B, MD2020B

REF	PART NO.	QTY	DESCRIPTION	SEE SEC.	NOTES
1	3593654		Sea water pump		
			• Bulletin 43-19A	43-19A-EN	New Sea Water Pumps
1	876699	1	Repair kit		
2		1	• Shaft		
3	833996	2	• Sealing ring		
4	925055	1	• O-ring		
5	859101	1	• Spacer washer		
6	181717	2	• Ball bearing		
7	914446	1	• Snap ring		
8	3581367	1	• Spacer sleeve		
9	914515	1	• Snap ring		
10	3580063	1	• O-ring		
11	3581369	1	• Cam		
12	804693	1	• Screw		
13	18669	1	• Gasket		
14	840386	1	• Cardboard tube		
15	840384	6	• Screw		
16	3593659	1	Impeller kit		
17		1	• Impeller		
18	(804697)	1	• Screw		Obsolete part
19	840385	1	• Gasket		
20	3862178	1	• Grease		

7746410-26-4153

17652

Upd:2012-05-07

MD2010B, MD2020B, MD2030B, MD2040B, MS2L-D, MS2A-D, 120S-D, MS2B-R, MS2A-E, MS2L-E

VOLVO
PENTA