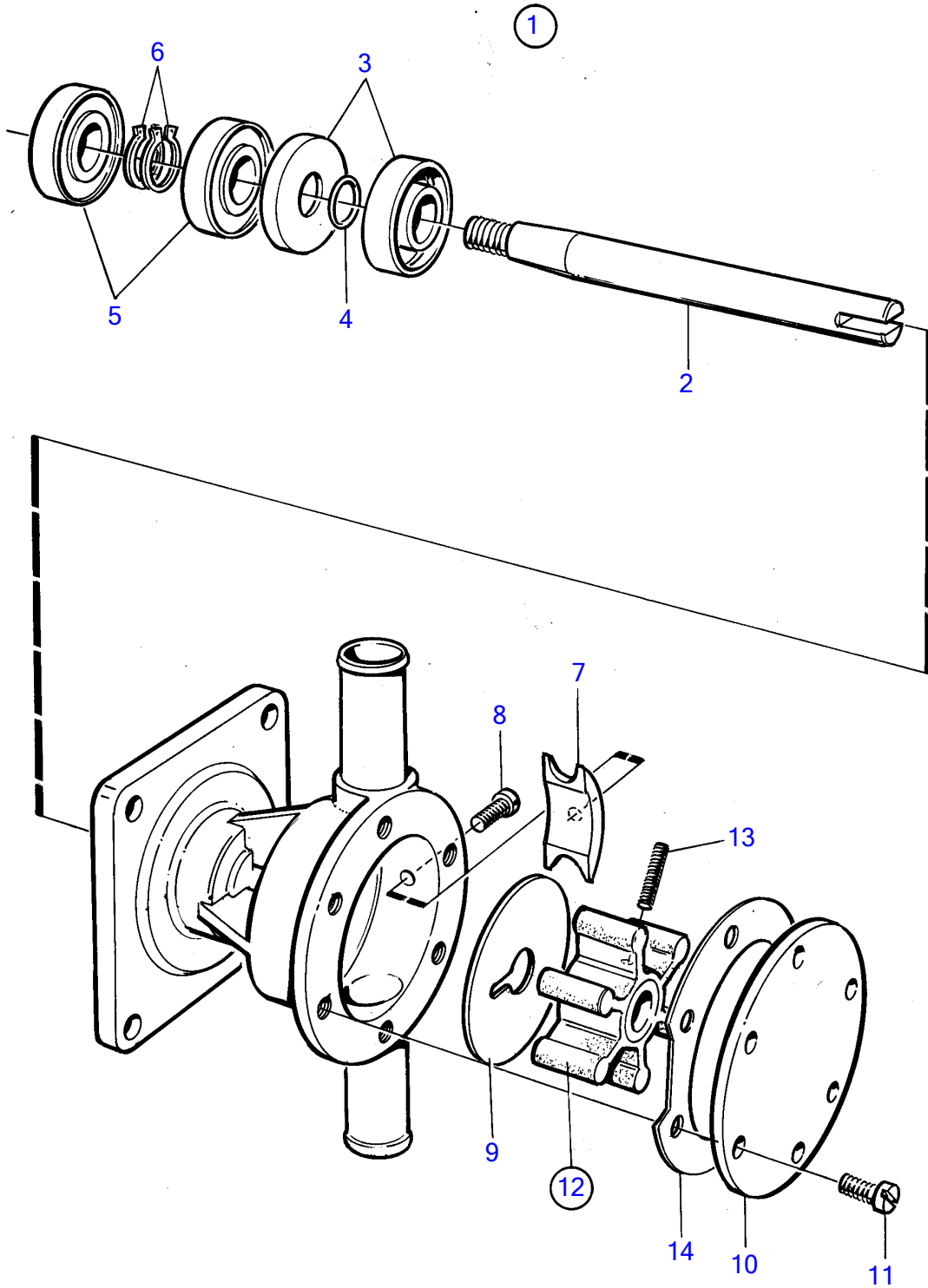


MD2010B, MD2020B



16155

MD2010B, MD2020B

REF	PART NO.	QTY	DESCRIPTION	SEE SEC.	NOTES
1	3580064	1	Sea water pump		Replaced by 3593654
			• Bulletin 43-19A	43-19A-EN	New Sea Water Pumps
1	3593654	1	Sea water pump		
			• Bulletin 43-19A	43-19A-EN	New Sea Water Pumps
2	(3580902)	1	• Shaft		Obsolete part
3	3580903	2	• Sealing ring		For 3580064
	833996	2	• Sealing ring		For 3580994
4	925054	1	• O-ring		
5	181743	2	• Ball bearing		
6	951075	2	• Snap ring		
7	3580906	1	• Cam		
8	860201	1	• Screw		
9	3580907	1	• Wear washer		
10	3580908	1	• Cardboard tube		
11	817825	6	• Screw		
12	3586494	1	• Impeller kit		
13	803730	1	• • Screw		
14	833417	1	• • Gasket		